



ARISTAIPC

Thin Client Brochure

Power and Flexibility that Fits Your Work Environment

www.aristaipc.com

Contents

Overview

Thin Client Advantages	04
ARISTA Thin Clients	05

Control Room Thin Clients

Office Thin Client

AP-3500-E01-003	08
AP-3500-H01-003	08

4K Resolution Industrial Thin Clients

AP-3500-H01-003	08
BoxPC-203-G01-00F	10
BoxPC-138-H00-003	13

Multi-Monitor Thin Clients

AP-3500-H01-003	08
BoxPC-203-G01-00F	10
BoxPC-138-G01-00D	11
BoxPC-138-H00-003	13

Plant Floor Thin Clients

Industrial Thin Clients

MicroBox-1200A-E01-003-DR	17
MicroBox-7824B-E01-003-DR	19
MicroBox-7824B-E02 Series	21

Panel Mount Panel PC Thin Clients

ARP-3600AP-E01 Series	24
ARP-3700AP-E01 Series	30
ARP-3800AP-E01 Series	34

VESA Mount Panel PC Thin Clients Thin

ARP-3816BP-E01-003	43
ARP-3818BP-E01-003	43
ARP-3821BP-E01-003	43

Waterproof Panel PC Thin Clients

ARP-3821AX-E01-007-DR	49
ARP-5515AX-E01-007-DR	51
ARP-5517AX-E01-007-DR	51
ARP-5519AX-E01-007-DR	51
ARP-5542AX-E01-007-DR	52

Hazardous Areas Panel PC Thin Clients

ARP-2215AP-G01 Series	57
ARP-2217AP-G01 Series	57
ARP-2219AP-G01 Series	58
ARP-2221AP-G01 Series	58
ARP-3821AX-E01-006-C1D2	62
ARP-5515AX-E01-006-C1D2	64
ARP-5517AX-E01-006-C1D2	64
ARP-5519AX-E01-006-C1D2	64

Large Format Display Thin Clients

ARP-5542AX-E01-007-DR	68
ARP-3855BP-E01-003	69

Thin Client Advantages

Thin clients provide a lot of flexibility and managing options for their users, few of the thin client's advantages are listed below.



Lower-operational cost

Thin clients eliminate the stress of setting up a full-fledged workstation. Since all the computing is done on servers, machines do not require much energy to operate. This contributes to an overall cost reduction. Moreover, thin clients are very easy to integrate into almost every application or business process and do not require additional training.



Centralized management

With a thin client set-up only software-level protection is required, security is required on the server level since entire data is stored on it. Additional heavy-duty security is not required for workstations and other devices. This significantly reduces the effort and time required in setting up workstations and working with every single machine in case of downtime.



High-performance

Thin clients can be integrated into almost every industry, areas like manufacturing, healthcare, or finance which needs utmost accuracy can rely on the thin client without any second thoughts. With several functionalities involving customization, users have improved and high-end performance at all levels.

ARISTA Thin Clients

ARISTA thin clients are designed for maximum uptime and noiseless operation and ideal for a myriad range of industries. ARISTA offers a wide choice of secure and cost-effective ThinManager Ready Thin clients that deliver reliable virtualization solutions. Upgrade, improve, and secure your existing business process with ARISTA's perfectly designed fanless thin clients, engineered to work-well with complex processes.

ARISTA thin clients are easy to combine with existing systems with remote management, space-saving design, malware-resistant, and enhanced user-experience.

ARISTA Thin Clients



Office Thin Clients

ARISTA office thin clients are compact and easy to install, available with Intel N270 DDR2 SO-DIMM Memory and dual gigabit LAN, ARISTA office Atom thin clients have flexible mounting position making them suitable for different kinds of installation.



Multi-Monitor Thin Client

For maximum flexibility for end-users ARISTA thin client supports multiple video ports with up to five monitor display. The displays can also be used as spanned or screened sessions for an intuitive approach to make work environment more productive.



4K Resolution Industrial Thin Clients

ARISTA 4K resolution industrial thin clients are rugged IP50 fanless embedded computers and support UHD/4k display. Designed and engineered to ensure performance, security and reliability.



Industrial Thin Clients

Designed to meet complex processes and harsh industrial requirements, ARISTA thin clients are fanless embedded computers and meets the IP50.



Panel Mount Thin Client

ARISTA comprehensive range of fanless, 5-wire resistive touch LCD display thin clients is powered with Intel Bay Trail E3485 1.91GHz Quad Core Atom CPU for robust performance. Sporting a compact design and intuitive user-interface, thin client panels are ideal for harsh working environments.



VESA Mount Thin Client

ARISTA VESA mount Panel PCs Thin Clients have three sizes of the panel such as 15.6, 18.5, and 21.5-inch. They are adopted capacitive touch screen and IP65 on Front Bezel with mPCIe expansion slot. And they are not only to meet a variety of installation, such as desktop, ceiling mount, wall mount and pedestal, and so on.



Waterproof Thin Clients

ARISTA offers NEMA 4X thin client with stainless steel front bezel. This waterproof ThinManager Ready thin client range is available with 5-wire resistive touch LCD display.



Hazardous Areas Class 1 Division 2 Panel PCs

ARISTA touch panel thin clients are designed with completely sealed stainless steel enclosure and I/O parts for use in hazardous locations. The waterproof thin clients are ThinManager Ready available with 5-wire resistive touch LCD display with UL Class Division 2 ratings.



Large Format Display Thin Client

ARISTA rugged large format LCD display ThinManager Ready thin clients come with a swappable CPU module. This unit is specifically designed for applications like marquees, process control boards and overhead KPI displays.



Control Room Thin Clients

Control Room Thin Clients



Thin Clients for Visualization

ARISTA dual HDMI output Thin Client AP-3500-E01 and 4K resolution HDMI output Thin Client BoxPC-203-G01-00F, were designed to deliver utmost control room visualization performance, ideal for use in crisis centers, transportation, network operation, security monitoring, broadcast, mining/oil/gas manufacturing and many more. With ARISTA Multi-Monitor Thin Clients, users have the ease of monitoring processes in an efficient and ergonomic way.



Thin Client supports 4K UHD Display

4K UHD (ultra high definition) is ideal for 24/7 active visual operations in a critical control room environment. It offers real-time accuracy and efficiency with multiple-screens or displays. ARISTA's supports Virtual Screens, it allows screen to divide in separate display sections with multi-monitor functionality on a single physical 4K UHD LCD display monitor. There are 1920 x 1080 pixels for each section when 4K UHD LCD monitor is split into quad view and each section represents a Full HD screen supporting up to 1920 x 1080 resolution.



Multi-Monitor Thin Client – Drives up to five monitors from a single client

ARISTA BoxPC-138-G01 Multi-Monitor Thin Client allows you to connect up to five displays from a single Thin Client and span single application across several monitors. ARISTA BoxPC-138-G01 Multi-Monitor Thin Client offers the ability to expand number of sessions and can be simultaneously viewed from any designated work station. The thin client solution minimizes the use of desktop space and let administrators use independent displays that best fits the workplace needs. Users can use two adjacent monitors to span a single session while two other monitors can be used to display sessions running on other servers.



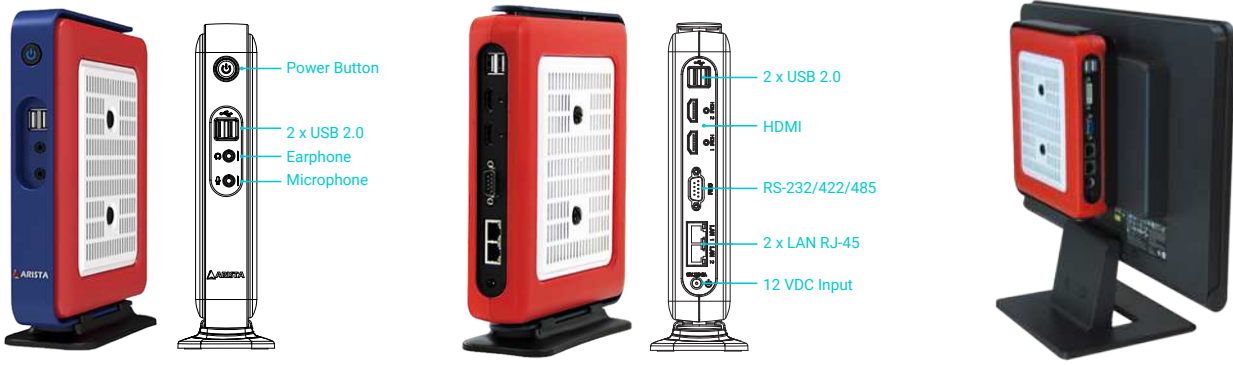
ARP-3500AP Series

Multiple HDMI Outputs Office Grade Thin Client

Features

- Intel E3845 ATOM CPU / Celeron-3855U
- 4GB DDR3 / 4GB DDR4 SO-DIMM
- Dual 1080p / 3x 4K HDMI
- Dual Gigabit Ethernet
- ThinManager Ready, PXE Boot
- Desktop or VESA Mount Available

Specifications	AP-3500-E01-003	AP-3500-H01-003
System		
CPU	Intel E3845 1.91GHz ATOM CPU	1.6 GHz Celeron-3855U
Chipset	Bay Trail	Skylake
Memory	4GB DDR3 SO-DIMM	4GB DDR4 SO-DIMM
Video Controller	Intel Gen7 Intel Graphics DX 11, OGL3.2	Intel HD Graphics 520
Video Interface	Dual HDMI	3 x HDMI Ports *Support 1 x 4K/30
Storage Option	N/A	N/A
Compact Flash	N/A	N/A
Keyboard/Mouse	USB	USB
Audio	Mic In, Line Out	Mic In, Line Out
Watchdog Timer	N/A	N/A
Remote Boot	ThinManager Ready, PXE	ThinManager Ready, PXE
Expansion Slot	Mini PCIe x 2	Mini PCIe x 1
I/O Communication		
USB Port	4 x USB 3.0	6 x USB (4x USB 3.0, 2 x USB 2.0)
Serial Port	1 x RS-232/422/485	N/A
IEEE 1394	N/A	N/A
LAN	2 x Gigabit	2 x Gigabit
Parallel	N/A	N/A
GPIO	N/A	N/A
Smart Battery		
External Smart Battery	N/A	N/A
OS Support		
OS Support	N/A	N/A
Power / Thermal Specs		
Power Requirement (Max)	12VDC / 1.05A	12VDC / 1.75A
Power Consumption (Max)	13 W	21 W
Recommended Power Supply	18 W	30 W
Heat Dissipation	43 BTU/Hr	72 BTU/Hr
Physical Information		
Mounting	Desktop, VESA Mount option	Desktop, VESA Mount option
New Weight	2.75Lbs / 1.2 Kg	3Lbs / 1.36 Kg
Dimension (W x H x D)	2.80 x 9.30 x 7.17 inch 70.5 x 236.5 x 182.0 mm	2.77 x 9.31 x 7.14 inch 70.5 x 236.5 x 181.0 mm
Environmental		
Operating Temperature	0~35°C (32~95°F)	0~35°C (32~95°F)
Storage Temperature	-20~60°C (-4~140°F)	-20~60°C (-4~140°F)
Relative Humidity	10% to 95% (non-condensing)	0% to 95%
IP/NEMA Rating	N/A	N/A
Certification	FCC, CE, UL 60950-1	FCC, CE, UL 60950-1



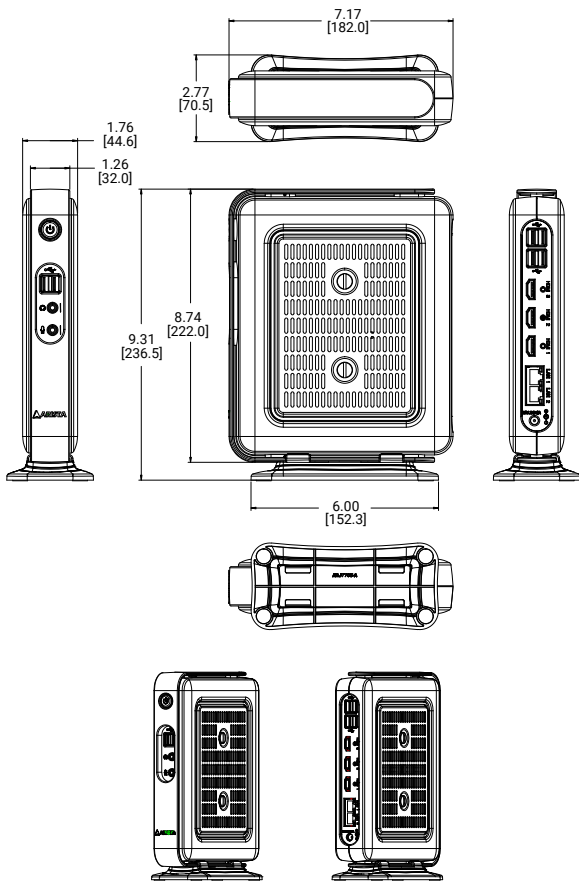
Front Side

Back Side

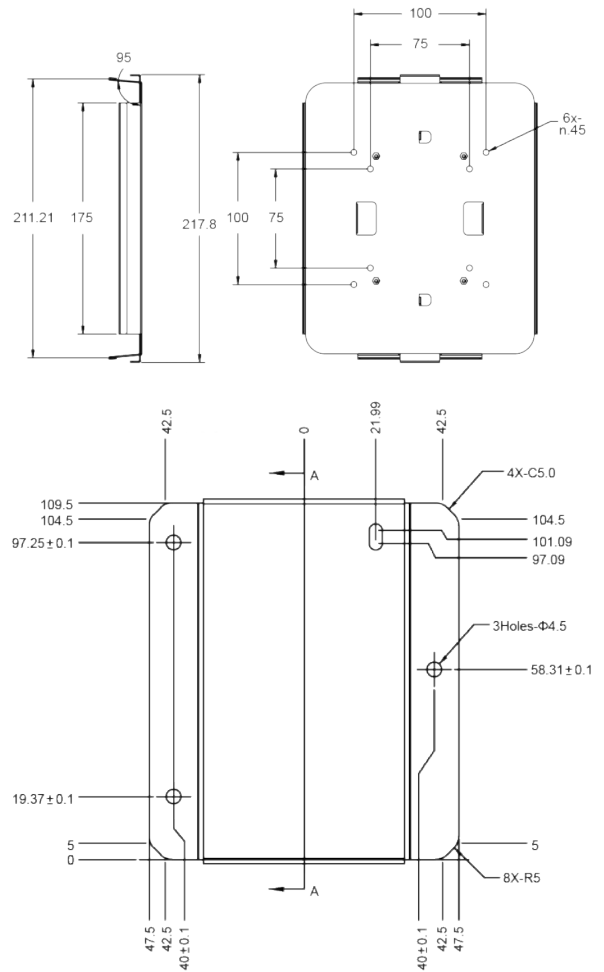
Installation

Dimension Drawing

AP-3500 Series
Size Unit : inch(mm)



VESE Mount Bracket (optional)
Size Unit : mm



BoxPC-203-G01-00F

Four 4K HDMI Outputs Thin Client



Features

- Intel i7-3630QM CPU
- 8GB DDR3 SO-DIMM
- Four 4K HDMI
- Dual Gigabit Ethernet
- ThinManager Ready

Specifications	BoxPC-203-G01-00F
System	
CPU	i7-3620QM
Chipset	Intel QM77
Memory	8GB DDR3 SO-DIMM
Video Controller	Intel HD Graphics 4000
Video Interface	Four HDMI 2.0 (3840 x 2160)
Storage Option	N/A
Compact Flash	N/A
Keyboard / Mouse	USB / PS2
Audio	Line In, Line Out, Mic In
Watchdog Timer	N/A
Remote Boot	ThinManager 11 Ready
Expansion Slot	N/A
I/O Communication	
USB Port	4 x USB 2.0, 2 x USB 3.0
Serial Port	2 x RS-232 / 422 / 485
IEEE 1394	N/A
LAN	2 x Gigabit
Parallel	N/A
GPIO	N/A
Smart Battery	
External Smart Battery	N/A
OS Support	
OS Support	N/A
Power / Thermal Specs	
Power Requirement (Max)	24VDC / 5A
Power Consumption (Max)	81 W
Recommended Power Supply	120 W
Heat Dissipation	277 BTU/Hr
Physical Information	
Mounting	Wall Mount
New Weight	13 Lbs
Dimension (W x H x D)	18.87 x 1.73 x 6.96 inch 479.3 x 44.0 x 176.7 mm
Environmental	
Operating Temperature	0~40°C (32~104°F)
Storage Temperature	-20~60°C (-4~140°F)
Relative Humidity	10% to 80%
IP/NEMA Rating	N/A
Certification	N/A

BoxPC-138-G01-00D

Five 1080p HDMI Outputs Thin Client



Features

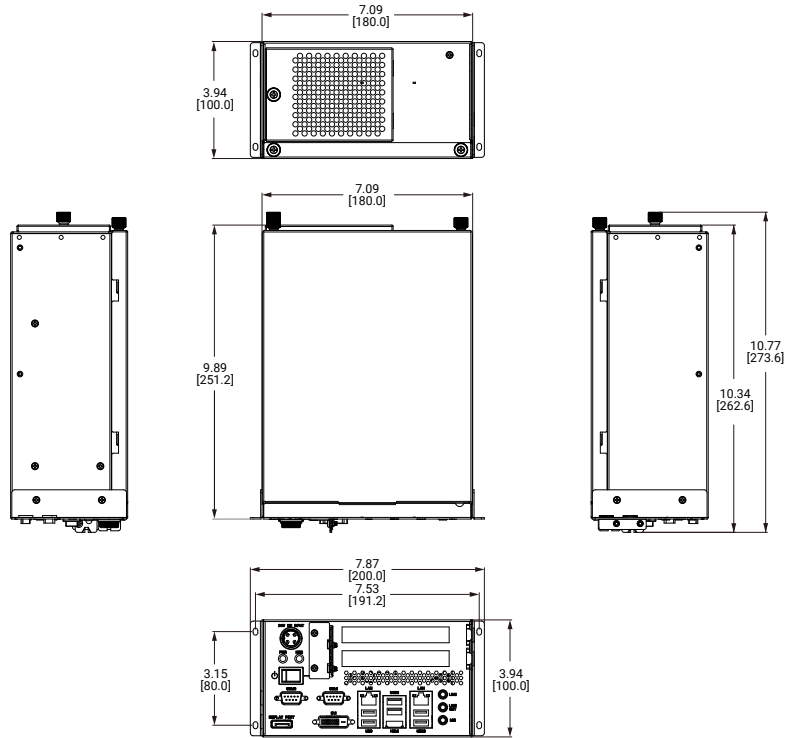
- Intel i7-3630QM CPU
- 8GB DDR3 SO-DIMM
- Five 1080p HDMI
- Dual Gigabit Ethernet
- ThinManager Ready, PXE Boot

Specifications	BoxPC-138-G01-00D
System	
CPU	Intel i7-3630QM
Chipset	Intel QM77
Memory	8GB DDR3 SO-DIMM
Video Controller	Intel HD Graphics 4000
Video Interface	5x HDMI
Storage Option	N/A
Compact Flash	N/A
Keyboard / Mouse	USB / PS2
Audio	Line In, Line Out, Mic In
Watchdog Timer	N/A
Remote Boot	ThinManager Ready, PXE
Expansion Slot	N/A
I/O Communication	
USB Port	4 x USB 2.0, 2 x USB 3.0
Serial Port	2 x RS-232/422/485
IEEE 1394	N/A
LAN	2 x Gigabit
Parallel	N/A
GPIO	N/A
Smart Battery	
External Smart Battery	N/A
OS Support	
OS Support	N/A
Power / Thermal Specs	
Power Requirement (Max)	24VDC / 3A
Power Consumption (Max)	73 W
Recommended Power Supply	103 W
Heat Dissipation	246 BTU/hr
Physical Information	
Mounting	Wall Mount
New Weight	10 Lbs / 4.53 Kg
Dimension (W x H x D)	11.56 x 4.26 x 8.59 inch 293.6 x 108.3 x 218.3 mm
Environmental	
Operating Temperature	0~50°C (32~122°F)
Storage Temperature	-20~60°C (-4~140°F)
Relative Humidity	0~95%
IP/NEMA Rating	Meets IP50
Certification	UL 508

Dimension Drawing

BoxPC-203-G01

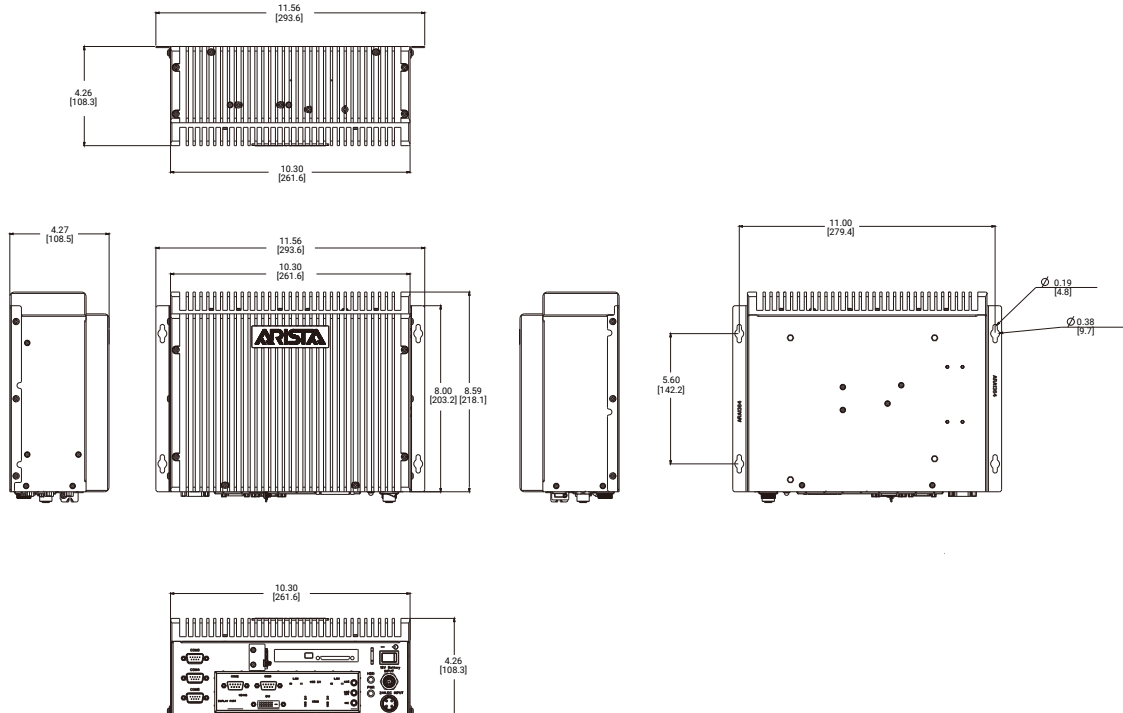
Size Unit : inch(mm)



Dimension Drawing

BoxPC-138-G01

Size Unit : inch(mm)



BoxPC-138-H00-003

ThinManager Ready Triple 4K HDMI Thin Client



Features

- Intel i7-6770T CPU
- 4GB DDR4 SO-DIMM
- Triple 4K HDMI Thin Client
- Dual Gigabit Ethernet
- ThinManager Ready, PXE Boot

Specifications	BoxPC-138-H00-003
System	
CPU	Intel i7-6700T Processor
Chipset	Intel Q170
Memory	4GB DDR4
Video Controller	Intel® Gen9 Intel® Graphics
Video Interface	3 x HDMI Display Outputs (Supports Triple 4K Displays)
Storage Option	N/A
Compact Flash	N/A
Keyboard / Mouse	1 x PS / 2 connector
Audio	Line In, Line Out, Mic In
Watchdog Timer	Programmable 1~255 sec
Remote Boot	ThinManager Ready, PXE
Expansion Slot	1 x PCIe x16
I/O Communication	
USB Port	4 x USB 2.0, 2 x USB 3.0
Serial Port	2 x RS-232/422/485
IEEE 1394	N/A
LAN	2 x Gigabit
Parallel	N/A
GPIO	N/A
Smart Battery	
External Smart Battery	N/A
OS Support	
OS Support	N/A
Power / Thermal Specs	
Power Requirement (Max)	24VDC / 3A
Power Consumption (Max)	73 W
Recommended Power Supply	103 W
Heat Dissipation	246 BTU/hr
Physical Information	
Mounting	Wall Mount
New Weight	10 Lbs / 4.53 Kg
Dimension (W x H x D)	11.56 x 4.26 x 8.59 inch 293.6 x 108.3 x 218.3 mm
Environmental	
Operating Temperature	0~50°C (32~122°F)
Storage Temperature	-20~60°C (-4~140°F)
Relative Humidity	0~95%
IP/NEMA Rating	Meets IP50
Certification	N/A



Plant Floor Thin Clients

Plant Floor Thin Clients



Thin Client for Manufacturing

For improving processes and allowing resources to be more productive, a thin client in a manufacturing environment is an ideal platform to deliver versatile benefits. Manufacturing operations at times get stuck due to IT setup; this often leads to downtime and waste of resources. Thin client technology is developed to resolve such conflicts and provide a mature approach for processes to be conducted efficiently.

Thin clients are a cost-effective solution providing manufacturing users with a safe and reliable environment. Thin clients' implementation with ThinManager Ready hardware ensures that it complements the manufacturing work environment and allows them to organize their process more efficiently. Thin client reduces overall hardware issues with an improved response time. Moreover, thin client installation is quite simple and does not interfere with existing work processes. With a thin client environment, users are able to work in a collaborative environment with remote sharing and centralized access to information.

Considering complex needs of the manufacturing industry and automation, ARISTA thin client range is wide and offers technology-driven great features. ARISTA offers industrial thin clients, panel mount thin client, waterproof proof thin, large format thin client and class 1 Division 2 thin clients.



Industrial Thin Clients

MicroBox-1200A-E01-003-DR

Wall Mount / DIN Rail Mount Industrial Thin Client



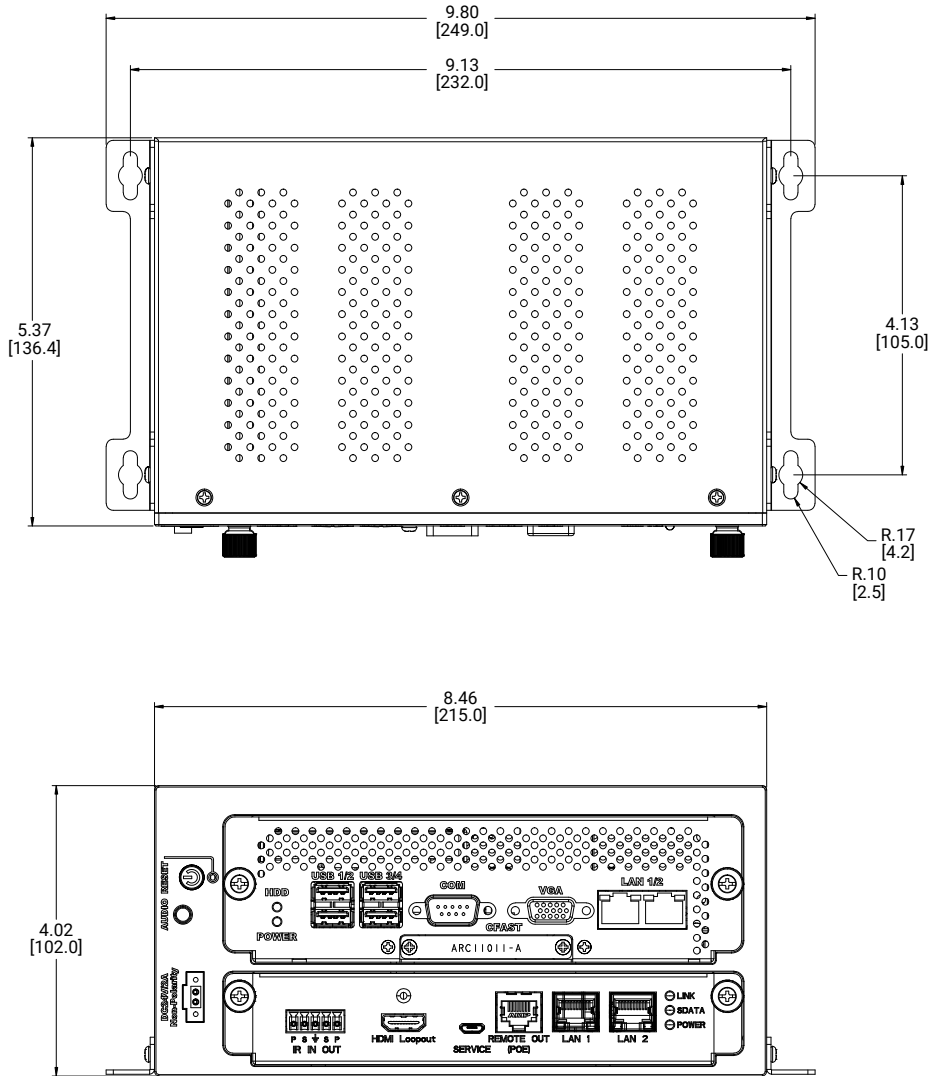
Features

- Intel E3845 ATOM CPU
- 4GB DDR3 SO-DIMM
- Dual Gigabit Ethernet
- 1 x RS-232/422/485 BIOS Selectable
- 4 x USB 2.0 ports
- 330 feet Remote KVM Extension
- ThinManager Ready

Specifications	MicroBox-1200A-E01-003-DR	ARD-1007-A00-RX Receiver
System		
CPU	Intel E3845 1.91GHz ATOM CPU	N/A
Chipset	Bay Trail	N/A
Memory	4GB DDR3 SO-DIMM	N/A
Video Controller	Intel Gen7 Intel Graphics DX 11, OGL3.2	N/A
Video Output Interface	VGA & HDMI Loop Back	N/A
Storage Option	N/A	N/A
Compact Flash	N/A	N/A
Keyboard/Mouse	USB	N/A
Audio	Line Out	N/A
Watchdog Timer	Programmable 1 - 255 sec	N/A
Remote Boot	ThinManager Ready, PXE	N/A
Expansion Slot	N/A	N/A
I/O Communication		
USB Port	4 x USB 2.0 for USB Devices	4 x USB 2.0 for USB Devices
Serial Port	1 x RS-232/422/485 BIOS Selectable	1 x RS-232
IEEE 1394	N/A	N/A
LAN	2 x Gigabit	2 ports 10/100 Hub
Parallel	N/A	N/A
GPIO	N/A	N/A
Smart Battery		
External Smart Battery	N/A	N/A
OS Support		
OS Support	N/A	N/A
Power / Thermal Specs		
Power Requirement (Max)	--	Powered by MicroBox-1200A
Power Consumption (Max)	--	N/A
Recommended Power Supply	--	N/A
Heat Dissipation	--	N/A
Physical Information		
Mounting	Wall Mount, DIN-Rail Mount	N/A
Net Weight	--	--
Dimension (W x H x D)	18.87x 1.73 x 6.96 inch 479.3 x 44.0 x 176.7 mm	6.19 x 1.45 x 4.04 inch 157.2 x 36.8 x 102.6 mm
Environmental		
Operating Temperature	0~50°C (32~122°F)	N/A
Storage Temperature	-20~60°C (-4~140°F)	N/A
Relative Humidity	0~95%	N/A
IP/NEMA Rating	meets IP50	N/A
Certification	N/A	N/A

Dimension Drawing

MicroBox-1200A-E01
 Size Unit : inch(mm)



MicroBox-7824B-E01-003-DR

Multiple HDMI Outputs Office Grade Thin Client



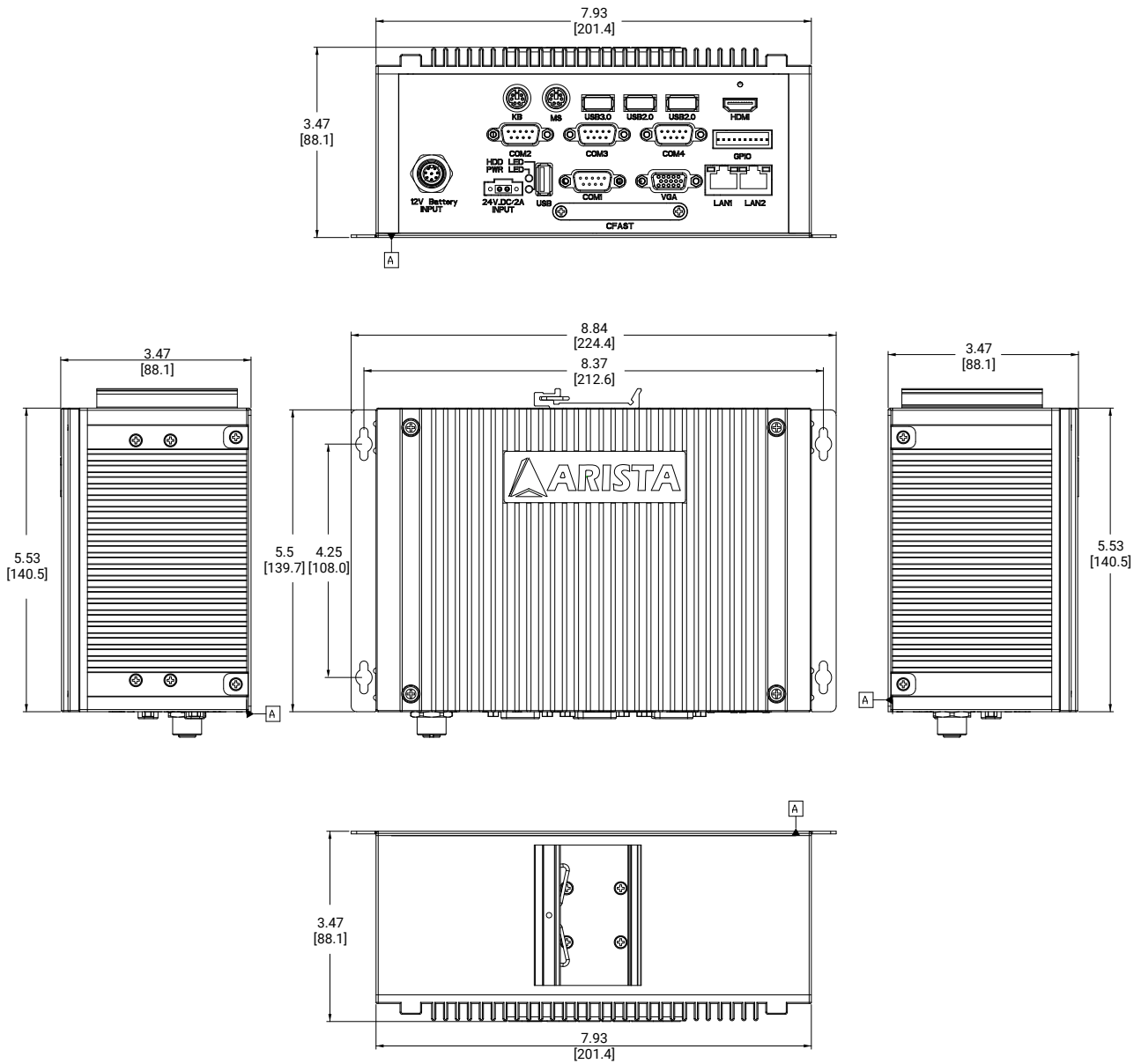
Features

- Intel E3845 ATOM CPU
- 4GB DDR3 SO-DIMM
- Dual Gigabit Ethernet
- 4 x RS-232/422/485 BIOS Selectable
- 1 x USB 3.0, 3 x USB 2.0 ports
- ThinManager Ready

Specifications	MicroBox-7824B-E01-003-DR
System	
CPU	Intel E3845 1.91GHz ATOM CPU
Chipset	Bay Trail
Memory	4GB DDR3 SO-DIMM
Video Controller	Intel Gen7 Intel Graphics DX 11, OGL3.2
Video Interface	VGA & HDMI
Storage Option	N/A
Compact Flash	N/A
Keyboard / Mouse	USB / PS2
Audio	N/A
Watchdog Timer	Programmable 1 - 255 sec
Remote Boot	ThinManager Ready, PXE
Expansion Slot	Mini PCIe x 2
I/O Communication	
USB Port	1 x USB 3.0, 3 x USB 2.0
Serial Port	4 x RS-232/422/485 BIOS Selectable
IEEE 1394	N/A
LAN	2 x Gigabit
Parallel	N/A
GPIO	N/A
Smart Battery	
External Smart Battery	N/A
OS Support	
OS Support	N/A
Power / Thermal Specs	
Power Requirement (Max)	24VDC / 0.7A
Power Consumption (Max)	17 W
Recommended Power Supply	24 W
Heat Dissipation	58 BTU/hr
Physical Information	
Mounting	Wall Mount, DIN-Rail Mount
New Weight	5.1 Lbs / 2.3Kg
Dimension (W x H x D)	8.83 x 3.47 x 5.50 inch 224.4 x 80.2 x 139.7 mm
Environmental	
Operating Temperature	0~50°C (32~122°F)
Storage Temperature	-20~60°C (-4~140°F)
Relative Humidity	0~95%
IP/NEMA Rating	meets IP50
Certification	FCC, CE, UL 61010

Dimension Drawing

MicroBox-7824B-E01
 Size Unit : inch(mm)



MicroBox-7824B-E02 Series

Multiple HDMI Outputs Office Grade Thin Client



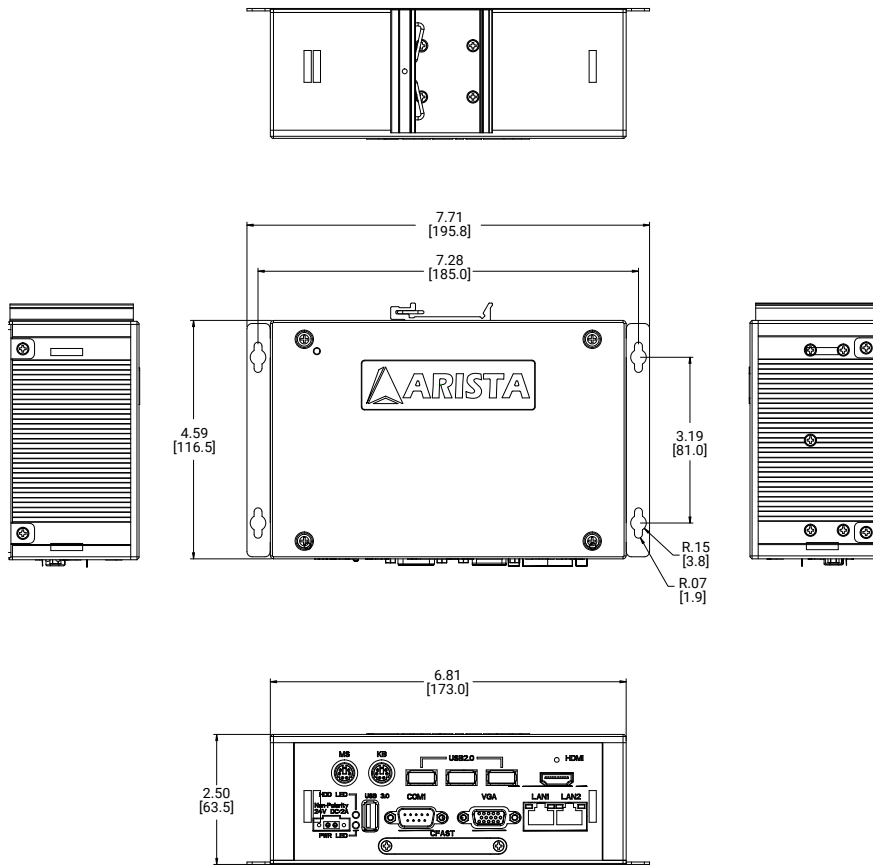
Features

- Intel E3845 ATOM CPU
- 4GB DDR3 SO-DIMM
- Dual Gigabit Ethernet
- 1 x RS-232/422/485 BIOS Selectable
- 1 x USB 3.0, 3/6 x USB 2.0 ports
- Line out, Mic in (A00)
- ThinManager Ready

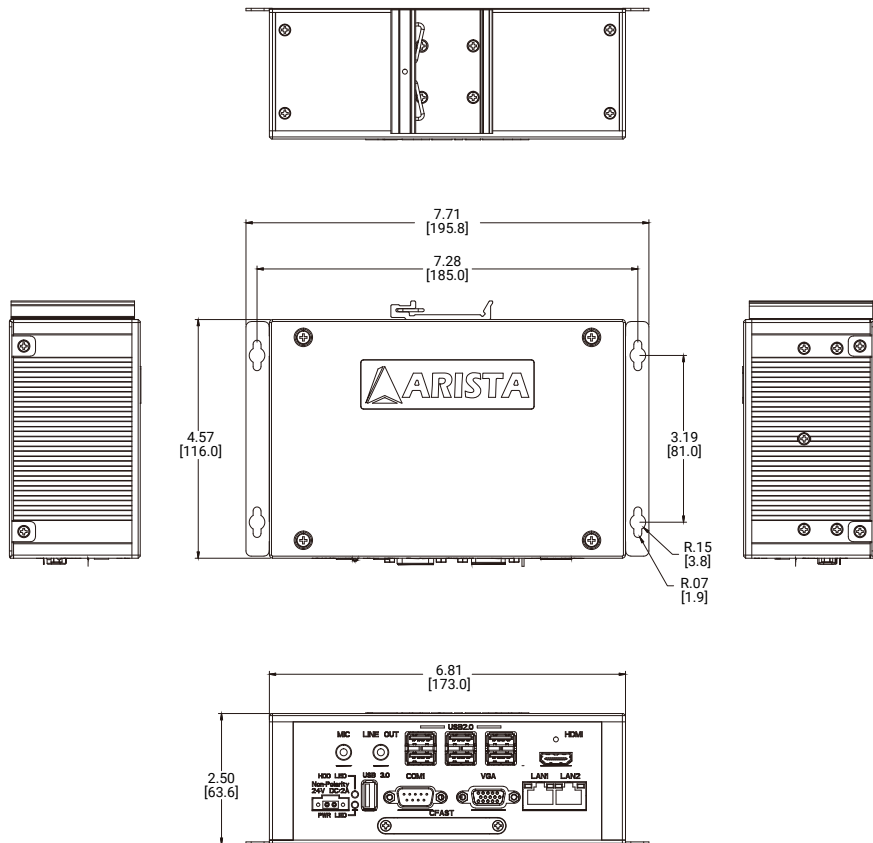
Specifications	MicroBox-7824B-E02-003-DR	MicroBox-7824B-E02-A03-DR
System		
CPU	Intel E3845 1.91GHz ATOM CPU	Intel E3845 1.91GHz ATOM CPU
Chipset	Bay Trail	Bay Trail
Memory	4GB DDR3 SO-DIMM	4GB DDR3 SO-DIMM
Video Controller	Intel Gen7 Intel Graphics DX 11, OGL3.2	Intel Gen7 Intel Graphics DX 11, OGL3.2
Video Interface	VGA & HDMI	VGA & HDMI
Storage Option	CFAST	CFAST
Compact Flash	N/A	N/A
Keyboard/Mouse	USB / PS2	USB
Audio	N/A	Line Out, Mic In
Watchdog Timer	Programmable 1 - 255 sec	Programmable 1 - 255 sec
Remote Boot	ThinManager Ready, PXE	ThinManager Ready, PXE
Expansion Slot	Mini PCIe x 2	Mini PCIe x 2
I/O Communication		
USB Port	1 x USB 3.0, 3 x USB 2.0	1 x USB 3.0, 6 x USB 2.0
Serial Port	1 x RS-232/422/485 BIOS Selectable	1 x RS-232/422/485 BIOS Selectable
IEEE 1394	N/A	N/A
LAN	2 x Gigabit	2 x Gigabit
Parallel	N/A	N/A
GPIO	N/A	N/A
Smart Battery		
External Smart Battery	N/A	N/A
OS Support		
OS Support	N/A	N/A
Power / Thermal Specs		
Power Requirement (Max)	24VDC / 0.7A	24VDC / 0.7A
Power Consumption (Max)	17 W	17 W
Recommended Power Supply	24 W	24 W
Heat Dissipation	58 BTU/hr	58 BTU/hr
Physical Information		
Mounting	Wall Mount, DIN-Rail Mount	Wall Mount, DIN-Rail Mount
Net Weight	--	--
Dimension (W x H x D)	7.71 x 2.50 x 4.59 inch 195.8 x 63.5 x 116.5 mm	7.71 x 2.50 x 4.59 inch 195.8 x 63.5 x 116.5 mm
Environmental		
Operating Temperature	0~50°C (32~122°F)	0~50°C (32~122°F)
Storage Temperature	-20~60°C (-4~140°F)	-20~60°C (-4~140°F)
Relative Humidity	0~95%	0~95%
IP/NEMA Rating	meets IP50	meets IP50
Certification	FCC, CE, UL 61010	FCC, CE, UL 61010

Dimension Drawing

MicroBox-7824B-E02
Size Unit : inch / mm



MicroBox-7824B-E02-A00
Size Unit : inch(mm)





Panel Mount Thin Clients



ARP-3600AP-E01 Series

Panel Mount Thin Client Panel PC with 5-Wire Resistive Touch

Features

- 10.4 / 15 / 17 / 19 / 21.5 / 24 inch LCD
- Resolution up to 1920 x 1080
- 5-Wire Resistive Touch
- Aluminum or Stainless Steel Bezel
- Intel E3845 ATOM CPU
- 4GB DDR3 SO-DIMM
- Dual Gigabit Ethernet
- 4 x RS-232/422/485 BIOS Selectable
- 1 x USB 3.0, 3 x USB 2.0 ports

Specifications	ARP-3610AP-E01	ARP-3615AP-E01	ARP-3617AP-E01
LCD Display			
Display Size (Diagonal)	10.4 inch	15.0 inch	17.0 inch
Resolution	800 x 600	1024 x 768	1280 x 1024
Backlight Lifetime (Hours)	50,000 hours	50,000	50,000 hours
Visual Characteristics			
Colors	16.2 million	16.7 million	16.7 million
Aspect ratio	4:3	4:3	5:4
Viewing angle (V/H)	140° / 170°	140° / 160°	160° / 170°
Contrast ratio	700 : 1	700 : 1	800 : 1
Brightness	400 nits (Typical)	300 nits (Typical)	350 nits (Typical)
Touchscreen			
Technology	5 Wire Resistive	5 Wire Resistive	5 Wire Resistive
Interface	USB	USB	USB
Driver	ThinManager Supported Driver	ThinManager Supported Driver	ThinManager Supported Driver
Front Bezel			
NEMA 4	Black Powder Coated Aluminum	Black Powder Coated Aluminum	Black Powder Coated Aluminum
NEMA 4x	Stainless Steel (Optional)	Stainless Steel (Optional)	Stainless Steel (Optional)
System			
CPU	Intel E3845 1.91GHz ATOM CPU	Intel E3845 1.91GHz ATOM CPU	Intel E3845 1.91GHz ATOM CPU
Chipset	Bay Trail	Bay Trail	Bay Trail
Memory	4GB DDR3 SO-DIMM	4GB DDR3 SO-DIMM	4GB DDR3 SO-DIMM
Video Controller	Intel Gen7 Intel Graphics DX 11, OGL3.2	Intel Gen7 Intel Graphics DX 11, OGL3.2	Intel Gen7 Intel Graphics DX 11, OGL3.2
External Video Output	VGA, HDMI	VGA, HDMI	VGA, HDMI
Storage Option	N/A	N/A	N/A
CFast Card	N/A	N/A	N/A
Keyboard / Mouse	USB / PS2	USB / PS2	USB / PS2
Audio	N/A	N/A	N/A
Watchdog Timer	Programmable 1 - 255 sec	Programmable 1 - 255 sec	Programmable 1 - 255 sec
Remote Boot	ThinManager Ready, PXE	ThinManager Ready, PXE	ThinManager Ready, PXE
Expansion Slot	Mini PCIe x 2	Mini PCIe x 2	Mini PCIe x 2
I/O Communication			
USB Port	1 x USB 3.0, 3 x USB 2.0	1 x USB 3.0, 3 x USB 2.0	1 x USB 3.0, 3 x USB 2.0
Serial Port	4 x RS-232/422/485 BIOS Selectable	4 x RS-232/422/485 BIOS Selectable	4 x RS-232/422/485 BIOS Selectable
IEEE 1394	N/A	N/A	N/A
LAN	2 x Gigabit	2 x Gigabit	2 x Gigabit
Parallel	N/A	N/A	N/A
GPIO	N/A	N/A	N/A
Smart Battery			
External Smart Battery	Optional	Optional	Optional
OS Support			
OS Support	N/A	N/A	N/A
Power/Thermal Specs			
Power Requirement (Max)	24VDC / 0.75A	24VDC / 1.31A	24VDC / 1.8A
Power Consumption (Max)	18 W	32 W	43 W
Recommended Power Supply	26 W	45 W	62 W
Heat Dissipation	62 BTU/hr	108 BTU/hr	147 BTU/hr
Physical Information			
Mounting	Panel Mount	Panel Mount	Panel Mount
Net Weight	8 Lbs / 3.63 Kg	13 Lbs / 5.90 Kg	15 Lbs / 6.80 Kg
Dimension (W x H x D)	11.50 x 8.80 x 4.20 inch 292.1 x 223.5 x 106.9 mm	14.51 x 11.80 x 4.37 inch 368.6 x 299.8 x 110.9 mm	15.88 x 13.34 x 4.58 inch 403.4 x 338.8 x 116.3 mm
Recommended Cutout Dimension (WxH)	10.80 x 8.10 inch 273.0 x 205.4 mm	13.71 x 11.11 inch 348.4 x 282.0 mm	15.06 x 12.64 inch 382.5 x 321.0 mm
Environmental			
Operating Temperature	0~50°C (32~122°F)	0~50°C (32~122°F)	0~50°C (32~122°F)
Storage Temperature	-20~60°C (-4~140°F)	-20~60°C (-4~140°F)	-20~60°C (-4~140°F)
Relative Humidity	0~95%	0~95%	0~95%
IP/NEMA Rating	Bezel meets NEMA 4/4X requirement	Bezel meets NEMA 4/4X requirement	Bezel meets NEMA 4/4X requirement
Certification	UL 61010	UL 61010	UL 61010



ARP-3600AP-E01 Series

Panel Mount Thin Client Panel PC with 5-Wire Resistive Touch

Features

- 10.4 / 15 / 17 / 19 / 21.5 / 24 inch LCD
- Resolution up to 1920 x 1080
- 5-Wire Resistive Touch
- Aluminum or Stainless Steel Bezel
- Intel E3845 ATOM CPU
- 4GB DDR3 SO-DIMM
- Dual Gigabit Ethernet
- 4 x RS-232/422/485 BIOS Selectable
- 1 x USB 3.0, 3 x USB 2.0 ports

Specifications	ARP-3619AP-E01	ARP-3621AP-E01	ARP-3624AP-E01
LCD Display			
Display Size (Diagonal)	19.0 inch	21.5 inch	24.0 inch
Resolution	1280 x 1024	1920 x 1080	1920 x 1080
Backlight Lifetime (Hours)	50,000 hours	50,000 hours	50,000 hours
Visual Characteristics			
Colors	16.7 million	16.7 million	16.7 million
Aspect ratio	5:4	16:9	16:9
Viewing angle (V/H)	160° / 170°	178° / 178°	178° / 178°
Contrast ratio	1000 : 1	1000 : 1	5000 : 1
Brightness	450 nits (Typical)	250 nits (Typical)	250 nits (Typical)
Touchscreen			
Technology	5 Wire Resistive	5 Wire Resistive	Projected Capacitive
Interface	USB	USB	USB
Driver	ThinManager Supported Driver	ThinManager Supported Driver	ThinManager Supported Driver
Front Bezel			
NEMA 4	Black Powder Coated Aluminum	Black Powder Coated Aluminum	Black Powder Coated Aluminum
NEMA 4x	Stainless Steel (Optional)	Stainless Steel (Optional)	Stainless Steel (Optional)
System			
CPU	Intel E3845 1.91GHz ATOM CPU	Intel E3845 1.91GHz ATOM CPU	Intel E3845 1.91GHz ATOM CPU
Chipset	Bay Trail	Bay Trail	Bay Trail
Memory	4GB DDR3 SO-DIMM	4GB DDR3 SO-DIMM	4GB DDR3 SO-DIMM
Video Controller	Intel Gen7 Intel Graphics DX 11, OGL3.2	Intel Gen7 Intel Graphics DX 11, OGL3.2	Intel Gen7 Intel Graphics DX 11, OGL3.2
External Video Output	VGA, HDMI	VGA, HDMI	VGA, HDMI
Storage Option	N/A	N/A	N/A
CFast Card	N/A	N/A	N/A
Keyboard / Mouse	USB / PS2	USB / PS2	USB / PS2
Audio	N/A	N/A	N/A
Watchdog Timer	Programmable 1 - 255 sec	Programmable 1 - 255 sec	Programmable 1 - 255 sec
Remote Boot	ThinManager Ready, PXE	ThinManager Ready, PXE	ThinManager Ready, PXE
Expansion Slot	Mini PCIe x 2	Mini PCIe x 2	Mini PCIe x 2
I/O Communication			
USB Port	1 x USB 3.0, 3 x USB 2.0	1 x USB 3.0, 3 x USB 2.0	1 x USB 3.0, 3 x USB 2.0
Serial Port	4 x RS-232/422/485 BIOS Selectable	4 x RS-232/422/485 BIOS Selectable	4 x RS-232/422/485 BIOS Selectable
IEEE 1394	N/A	N/A	N/A
LAN	2 x Gigabit	2 x Gigabit	2 x Gigabit
Parallel	N/A	N/A	N/A
GPIO	N/A	N/A	N/A
Smart Battery			
External Smart Battery	Optional	Optional	Optional
OS Support			
OS Support	N/A	N/A	N/A
Power/Thermal Specs			
Power Requirement (Max)	24VDC / 1.8A	24VDC / 1.8A	24VDC / 2.5A
Power Consumption (Max)	43 W	43 W	60 W
Recommended Power Supply	65 W	62 W	85 W
Heat Dissipation	147 BTU/hr	147 BTU/hr	203 BTU/hr
Physical Information			
Mounting	Panel Mount	Panel Mount	Panel Mount
Net Weight	18 Lbs / 8.16 Kg	20 Lbs / 9.07 Kg	23 Lbs / 10.43 Kg
Dimension (W x H x D)	17.80 x 14.60 x 4.86 inch 452.1 x 370.8 x 123.6 mm	20.91 x 12.94 x 4.46 inch 531.0 x 328.8 x 113.3 mm	23.91 x 14.50 x 4.51 inch 607.3 x 368.3 x 114.6 mm
Recommended Cutout Dimension (WxH)	17.01 x 13.81 inch 432.0 x 350.6 mm	20.09 x 12.13 inch 510.2 x 308.0 mm	23.22 x 13.81 inch 589.8 x 350.7 mm
Environmental			
Operating Temperature	0~50°C (32s~122°F)	0~50°C (32~122°F)	0~50°C (32~122°F)
Storage Temperature	-20~60°C (-4~140°F)	-20~60°C (-4~140°F)	-20~60°C (-4~140°F)
Relative Humidity	0~95%	0~95%	0~95%
IP/NEMA Rating	Bezel meets NEMA 4/4X requirement	Bezel meets NEMA 4/4X requirement	Bezel meets NEMA 4/4X requirement
Certification	UL 61010	UL 61010	UL 61010

ARP-3600AP-E01 Series

Ordering Information

Item	ARP-3610AP-E01-003-DR	ARP-3610AP-E01-007-DR
LCD Display	10.4" LCD / 800 x 600	10.4" LCD / 800 x 600
Touch Screen	5-Wire Resistive Touch	5-Wire Resistive Touch
Bezel	Black Powder Coated Aluminum	Stainless Steel
CPU	E3845 ATOM CPU	E3845 ATOM CPU
Memory	4GB DDR3	4GB DDR3
Storage	N/A	N/A
Remote Boot	ThinManager Ready	ThinManager Ready
Power Supply	110/220VAC Input DIN-Rail	110/220VAC Input DIN-Rail

Item	ARP-3615AP-E01-003-DR	ARP-3615AP-E01-007-DR
LCD Display	15.0" LCD / 1024 x 768	15.0" LCD / 1024 x 768
Touch Screen	5-Wire	5-Wire
Bezel	Black Powder Coated Aluminum	Stainless Steel
CPU	E3845 ATOM CPU	E3845 ATOM CPU
Memory	4GB DDR3	4GB DDR3
Storage	N/A	N/A
Remote Boot	ThinManager Ready	ThinManager Ready
Power Supply	110/220VAC Input DIN-Rail	110/220VAC Input DIN-Rail

Item	ARP-3617AP-E01-003-DR	ARP-3617AP-E01-007-DR
LCD Display	17.0" LCD / 1280 x 1024	17.0" LCD / 1280 x 1024
Touch Screen	5-Wire	5-Wire
Bezel	Black Powder Coated Aluminum	Stainless Steel
CPU	E3845 ATOM CPU	E3845 ATOM CPU
Memory	4GB DDR3	4GB DDR3
Storage	N/A	N/A
Remote Boot	ThinManager Ready	ThinManager Ready
Power Supply	110/220VAC Input DIN-Rail	110/220VAC Input DIN-Rail

Item	ARP-3619AP-E01-003-DR	ARP-3619AP-E01-007-DR
LCD Display	19.0" LCD / 1280 x 1024	19.0" LCD / 1280 x 1024
Touch Screen	5-Wire	5-Wire
Bezel	Black Powder Coated Aluminum	Stainless Steel
CPU	E3845 ATOM CPU	E3845 ATOM CPU
Memory	4GB DDR3	4GB DDR3
Storage	N/A	N/A
Remote Boot	ThinManager Ready	ThinManager Ready
Power Supply	110/220VAC Input DIN-Rail	110/220VAC Input DIN-Rail

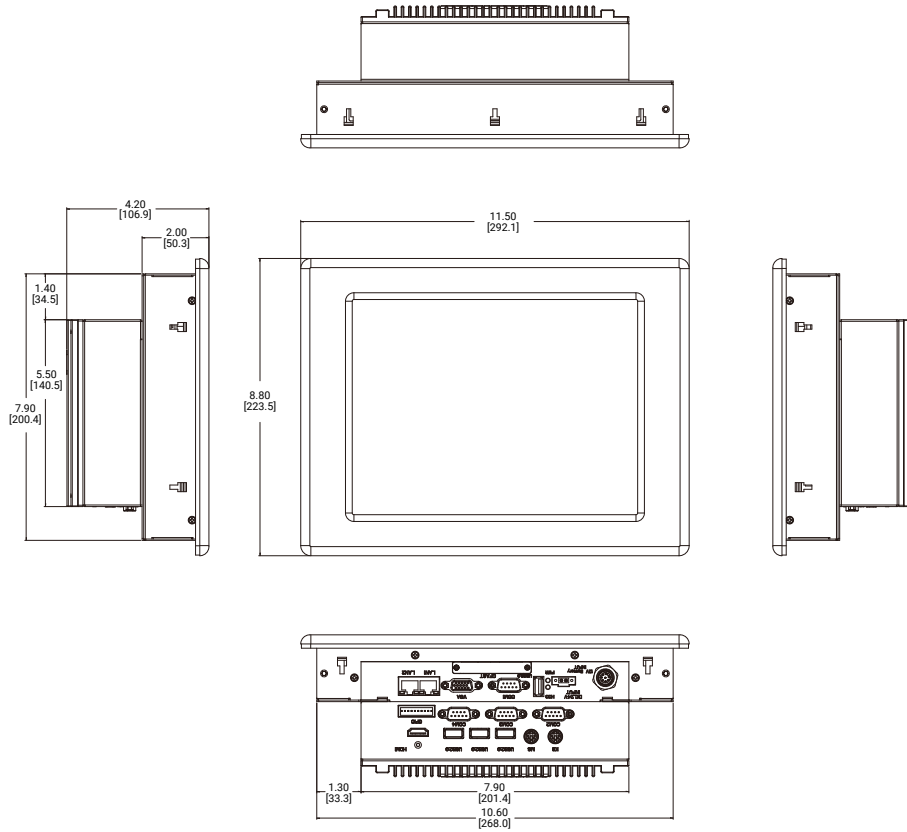
Item	ARP-3621AP-E01-003-DR	ARP-3621AP-E01-007-DR
LCD Display	21.5" LCD / 1920 x 1080	21.5" LCD / 1920 x 1080
Touch Screen	5-Wire	5-Wire
Bezel	Black Powder Coated Aluminum	Stainless Steel
CPU	E3845 ATOM CPU	E3845 ATOM CPU
Memory	4GB DDR3	4GB DDR3
Storage	N/A	N/A
Remote Boot	ThinManager Ready	ThinManager Ready
Power Supply	110/220VAC Input DIN-Rail	110/220VAC Input DIN-Rail

Item	ARP-3624AP-E01-003-DR	ARP-3624AP-E01-007-DR
LCD Display	24.0" LCD / 1920 x 1080	24.0" LCD / 1920 x 1080
Touch Screen	5-Wire	5-Wire
Bezel	Black Powder Coated Aluminum	Stainless Steel
CPU	E3845 ATOM CPU	E3845 ATOM CPU
Memory	4GB DDR3	4GB DDR3
Storage	N/A	N/A
Remote Boot	ThinManager Ready	ThinManager Ready
Power Supply	110/220VAC Input DIN-Rail	110/220VAC Input DIN-Rail

Dimension Drawing

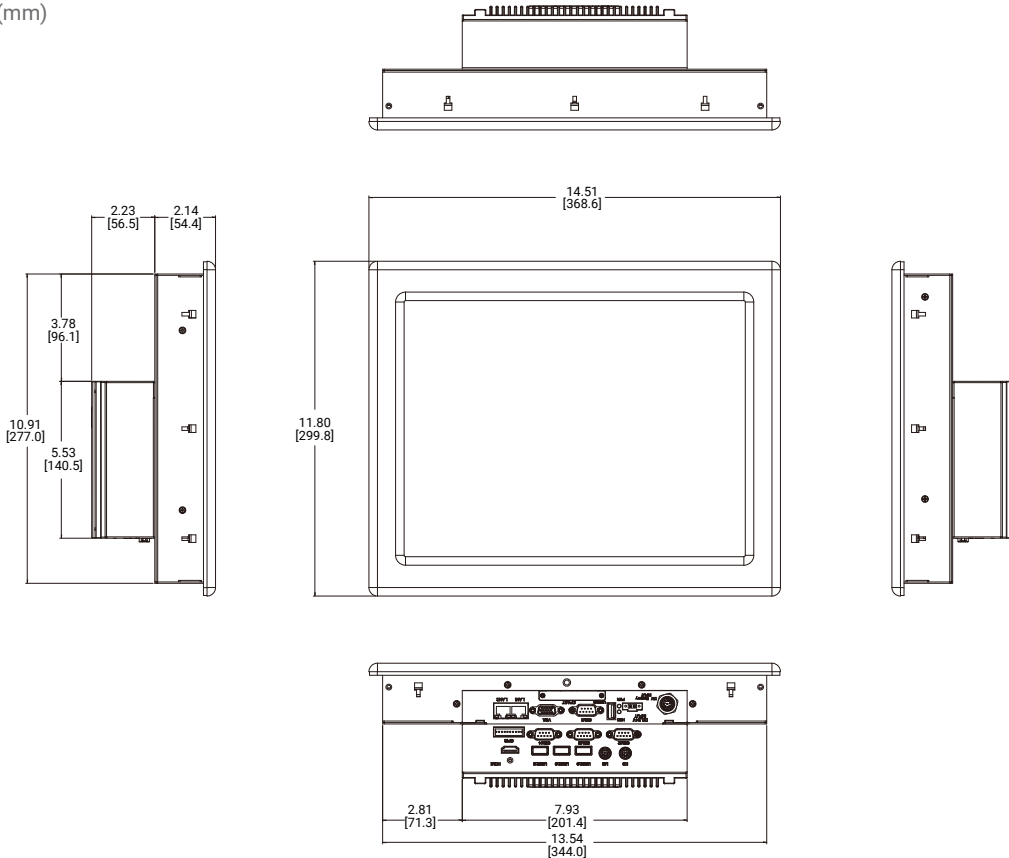
ARP-3610AP-E01

Size Unit : inch(mm)



ARP-3615AP-E01

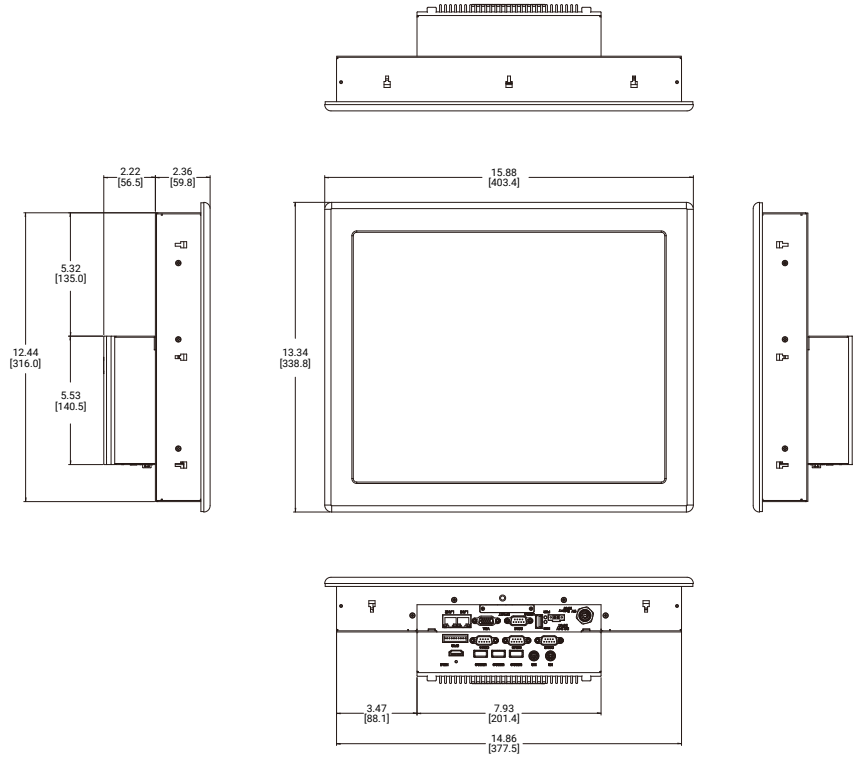
Size Unit : inch(mm)



Dimension Drawing

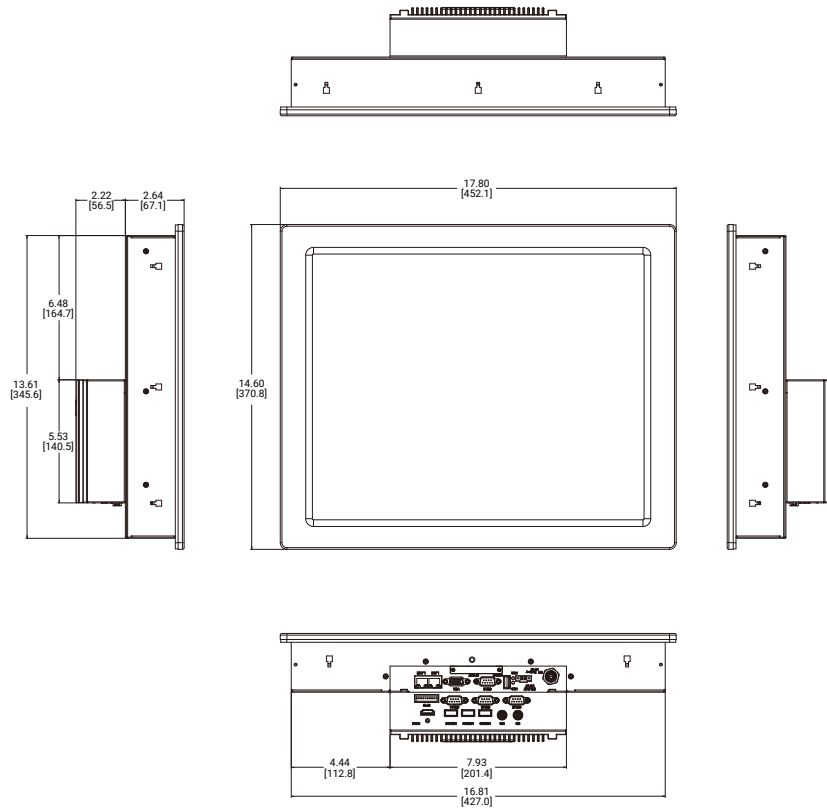
ARP-3617AP-E01

Size Unit : inch(mm)



ARP-3619AP-E01

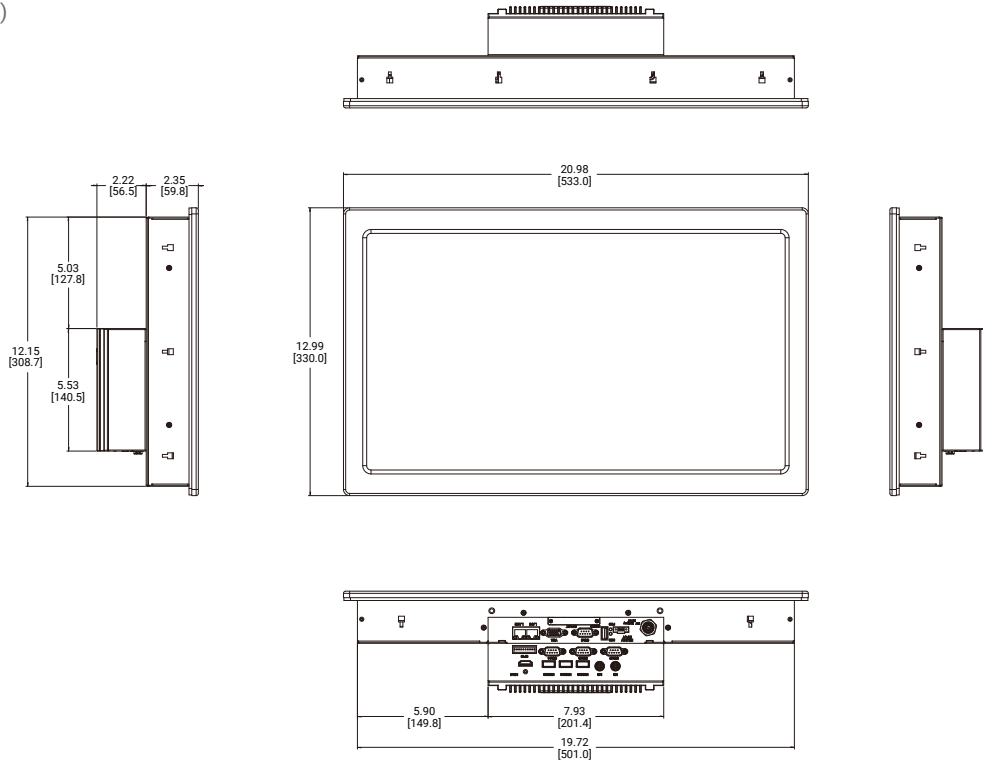
Size Unit : inch(mm)



Dimension Drawing

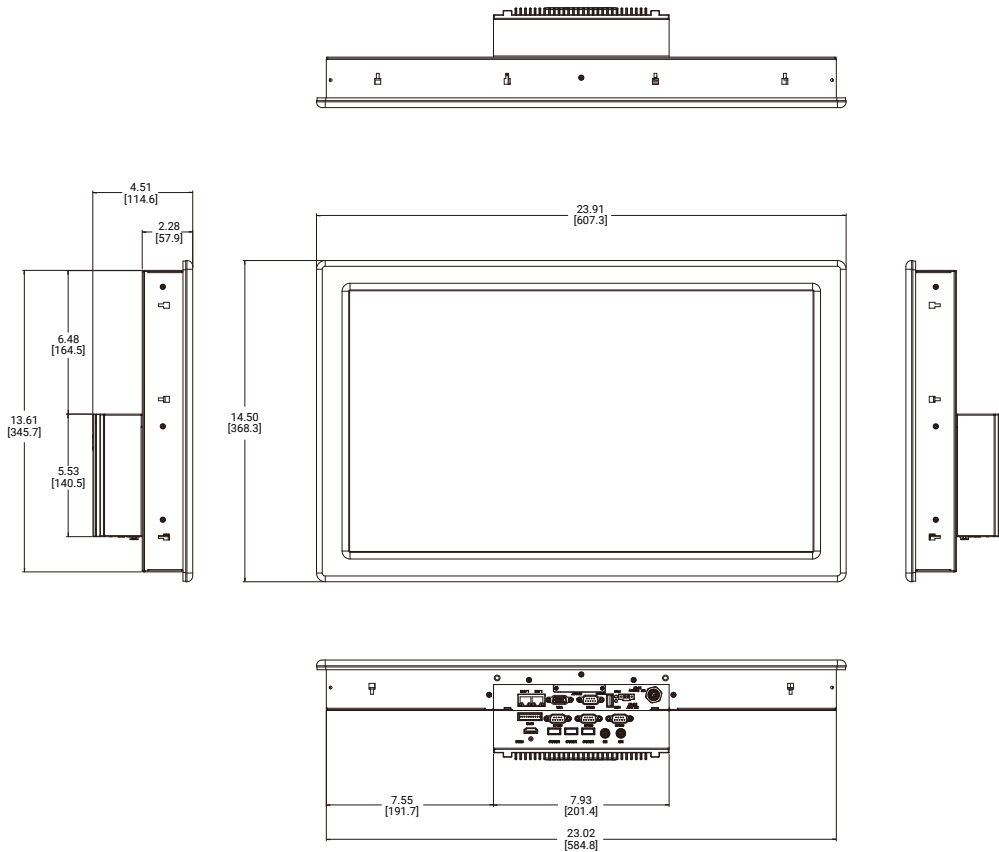
ARP-3621AP-E01

Size Unit : inch(mm)



ARP-3624AP-E01

Size Unit : inch(mm)





ARP-3700AP-E01 Series

Panel Mount Thin Client Panel PC with 5-Wire Resistive Touch

Features

- 17 / 19 / 21.5 inch LCD
- Resolution up to 1920 x 1080
- 5-Wire Resistive Touch
- Aluminum or Stainless Steel Bezel
- Intel E3845 ATOM CPU/ Intel i7-6600U CPU
- 4GB DDR3 SO-DIMM
- Dual Gigabit Ethernet
- 4 x RS-232/422/485 BIOS Selectable
- 1 x USB 3.0, 3 x USB 2.0 ports
- 1 x 8-bit GPIO (4-bit Input, 4-bit Output)

Specifications	ARP-3717AP-E01	ARP-3719AP-E01	ARP-3721AP-E01
LCD Display			
Display Size (Diagonal)	17.0 inch	19.0 inch	21.5 inch
Max Resolution	1280 x 1024	1280 x 1024	1920 x 1080
Backlight Lifetime (Hours)	50,000 hours	50,000 hours	50,000 hours
Visual Characteristics			
Colors	16.7 million	16.7 million	16.7 million
Aspect Ratio	5:4	5:4	16:9
Viewing Angle (V/H)	160° / 170°	160° / 170°	178° / 178°
Response time (Typical)	--	--	--
Pixel Pitch (mm)	--	--	--
Contrast Ratio	800 : 1	1000 : 1	1000 : 1
Brightness	350 nits (Typical)	450 nits (Typical)	250 nits (Typical)
Touchscreen			
Technology	5 Wire Resistive	5 Wire Resistive	5 Wire Resistive
Interface	USB	USB	USB
Driver	ThinManager Supported Driver	Windows 7, 8 & 10	Windows 7, 8 & 10
Front Bezel			
NEMA 4	Black Powder Coated Aluminum	Black Powder Coated Aluminum	Black Powder Coated Aluminum
NEMA 4x	Stainless Steel (Optional)	Stainless Steel (Optional)	Stainless Steel (Optional)
System			
CPU	Intel E3845 1.91GHz ATOM CPU	Intel E3845 1.91GHz ATOM CPU	Intel E3845 1.91GHz ATOM CPU
Chipset	Bay Trail	Bay Trail	Bay Trail
Memory	4GB DDR3 SO-DIMM	4GB DDR3 SO-DIMM	4GB DDR3 SO-DIMM
Video Controller	Intel Gen7 Intel Graphics DX 11, OGL3.2	Intel Gen7 Intel Graphics DX 11, OGL3.2	Intel Gen7 Intel Graphics DX 11, OGL3.2
External Video Output	VGA, HDMI	VGA, HDMI	VGA, HDMI
Storage Option	N/A	N/A	N/A
Compact Flash	N/A	N/A	N/A
Keyboard / Mouse	USB / PS2	USB / PS2	USB / PS2
Audio	N/A	N/A	N/A
Watchdog Timer	Programmable 1 - 255 sec	Programmable 1 - 255 sec	Programmable 1 - 255 sec
Remote Boot	ThinManager Ready, PXE	ThinManager Ready, PXE	ThinManager Ready, PXE
Expansion Slot	Mini PCIe x 2	Mini PCIe x 2	Mini PCIe x 2
I/O Communication			
USB Port	1 x USB 3.0, 3 x USB 2.0	1 x USB 3.0, 3 x USB 2.0	1 x USB 3.0, 3 x USB 2.0
Serial Port	4 x RS-232/422/485 BIOS Selectable	4 x RS-232/422/485 BIOS Selectable	4 x RS-232/422/485 BIOS Selectable
IEEE 1394	N/A	N/A	N/A
LAN	2 x Gigabit	2 x Gigabit	2 x Gigabit
Parallel	N/A	N/A	N/A
GPIO	N/A	N/A	N/A
Smart Battery			
External Smart Battery	Optional	Optional	Optional
OS Support			
OS Support	N/A	N/A	N/A
Power/Thermal Specs			
Power Requirement (Max)	24VDC / 1.8A	24VDC / 1.8A	24VDC / 1.8A
Power Consumption (Max)	43 W	43 W	43 W
Recommended Power Supply	62 W	65 W	62 W
Heat Dissipation	147 BTU/hr	147 BTU/hr	147 BTU/hr
Physical Information			
Mounting	Panel Mount	Panel Mount	Panel Mount
Net Weight	15 Lbs / 6.80 Kg	18 Lbs / 8.16 Kg	20 Lbs / 9.07 Kg
Dimension (W x H x D)	17.69 x 13.94 x 4.48 inch 449.4 x 354.0 x 113.8 mm	18.15 x 15.16 x 4.39 inch 461.0 x 385.0 x 111.4 mm	22.18 x 13.47 x 4.41 inch 563.4 x 342.2 x 111.9 mm
Recommended Cutout Dimension (WxH)	16.11 x 12.37 inch 409.0 x 314.0 mm	16.56 x 14.11 inch 420.6 x 358.4 mm	21.22 x 12.51 inch 539.0 x 317.6 mm
Environmental			
Operating Temperature	0~50°C (32~122°F)	0~50°C (32~122°F)	0~50°C (32~122°F)
Storage Temperature	-20~60°C (-4~140°F)	-20~60°C (-4~140°F)	-20~60°C (-4~140°F)
Relative Humidity	0~95%	0~95%	0~95%
IP/NEMA Rating	Bezel meets NEMA 4/4X requirement	Bezel meets NEMA 4/4X requirement	Bezel meets NEMA 4/4X requirement
Certification	UL 61010	UL 61010	UL 61010

ARP-3700AP-E01 Series

Ordering Information

Item	ARP-3717AP-E01-003-DR	ARP-3717AP-E01-007-DR
LCD Display	17.0" LCD / 1280 x 1024	17.0" LCD / 1280 x 1024
Touch Screen	5-Wire	5-Wire
Bezel	Black Powder Coated Aluminum	Stainless Steel
CPU	E3845 ATOM CPU	E3845 ATOM CPU
Memory	4GB DDR3	4GB DDR3
Storage	N/A	N/A
Remote Boot	ThinManager Ready	ThinManager Ready
Power Supply	110/220VAC Input DIN-Rail	110/220VAC Input DIN-Rail

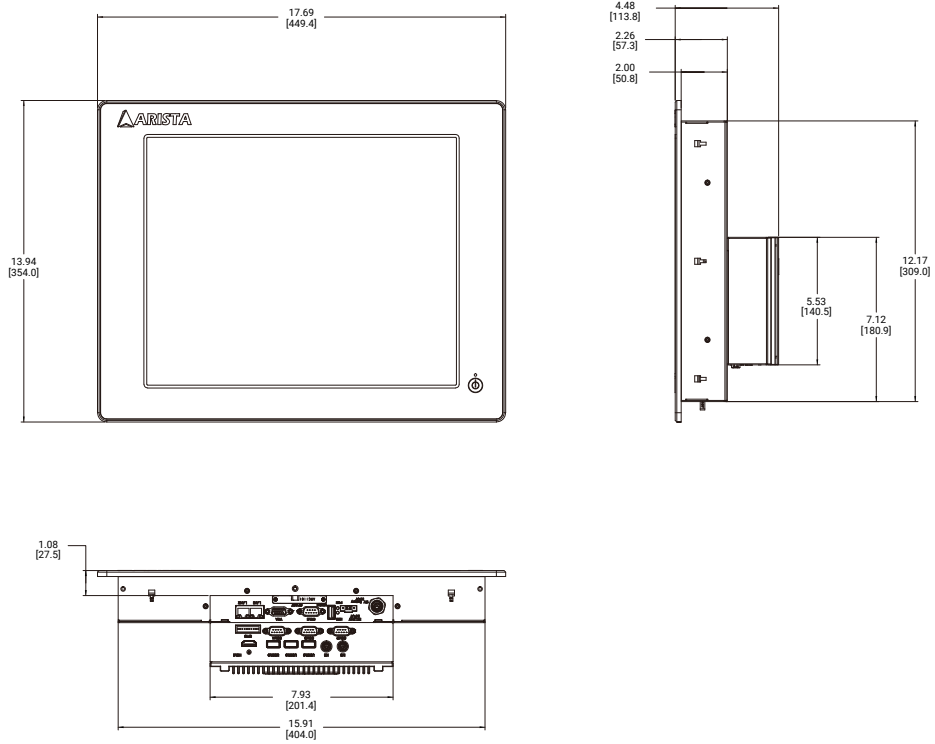
Item	ARP-3719AP-E01-003-DR	ARP-3719AP-E01-007-DR
LCD Display	19.0" LCD / 1280 x 1024	19.0" LCD / 1280 x 1024
Touch Screen	5-Wire	5-Wire
Bezel	Black Powder Coated Aluminum	Stainless Steel
CPU	E3845 ATOM CPU	E3845 ATOM CPU
Memory	4GB DDR3	4GB DDR3
Storage	N/A	N/A
Remote Boot	ThinManager Ready	ThinManager Ready
Power Supply	110/220VAC Input DIN-Rail	110/220VAC Input DIN-Rail

Item	ARP-3721AP-E01-003-DR	ARP-3721AP-E01-007-DR
LCD Display	21.5" LCD / 1920 x 1080	21.5" LCD / 1920 x 1080
Touch Screen	5-Wire	5-Wire
Bezel	Black Powder Coated Aluminum	Stainless Steel
CPU	E3845 ATOM CPU	E3845 ATOM CPU
Memory	4GB DDR3	4GB DDR3
Storage	N/A	N/A
Remote Boot	ThinManager Ready	ThinManager Ready
Power Supply	110/220VAC Input DIN-Rail	110/220VAC Input DIN-Rail

Dimension Drawing

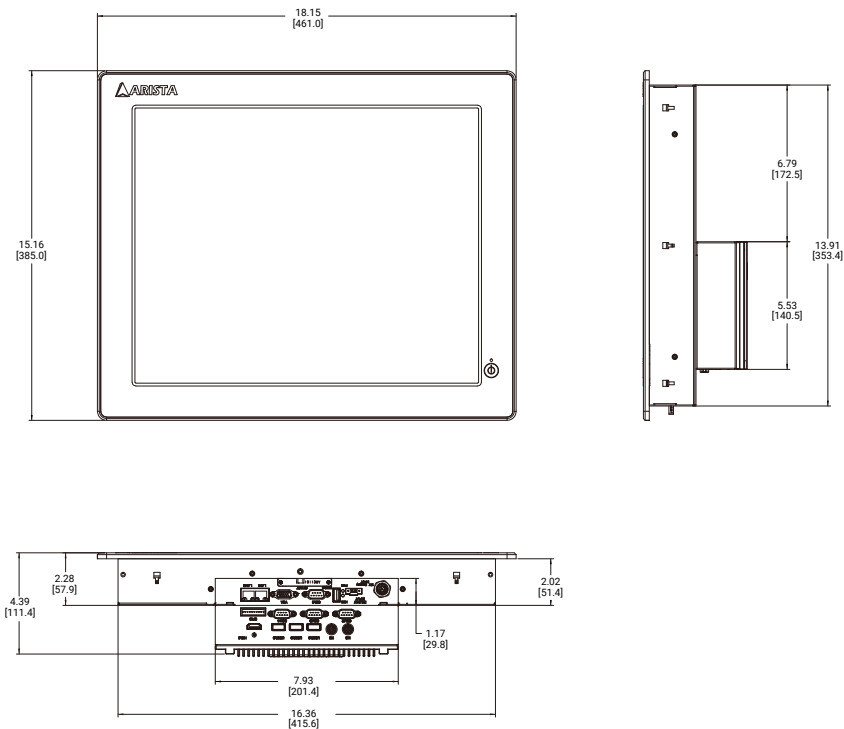
ARP-3717AP-E01

Size Unit : inch(mm)



ARP-3719AP-E01

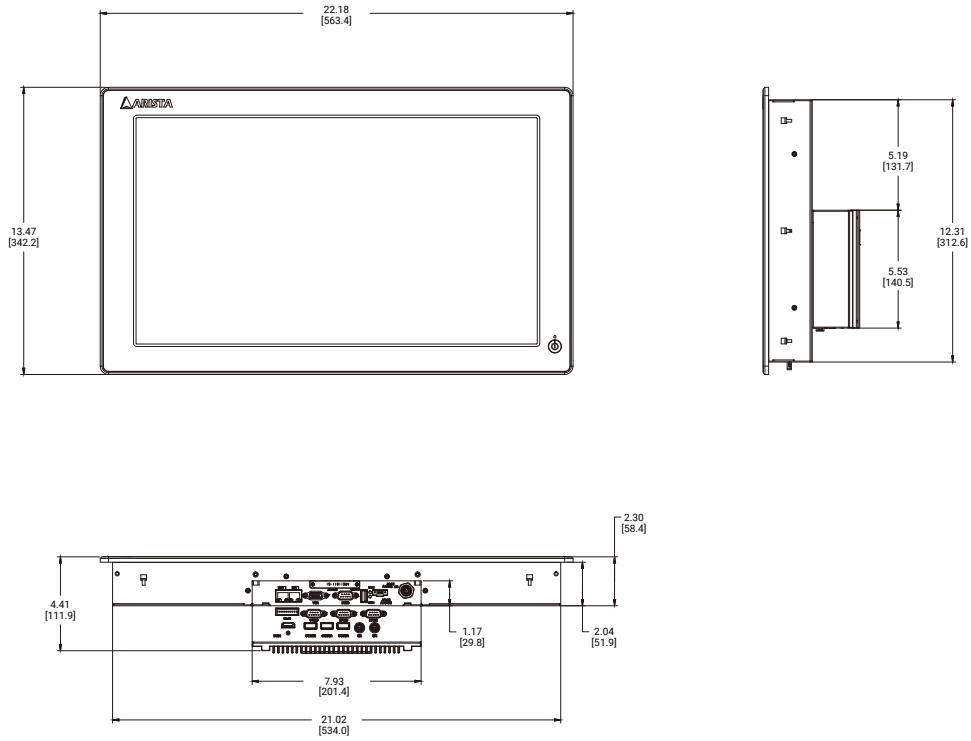
Size Unit : inch(mm)



Dimension Drawing

ARP-3721AP-E01

Size Unit : inch(mm)



ARP-3800AP-E01 Series

Panel Mount Thin Client Panel PC with PCAP Touch Screen



Features

- 10.1 / 15 / 15.6 / 18.5 / 19 / 21.5 / 24 inch LCD
- Resolution up to 1920 x 1080
- Projected Capacitive Touch Screen
- Aluminum or Stainless Steel Flush Bezel
- Intel E3845 ATOM CPU/ Intel i7-6600U CPU
- 4GB DDR3 SO-DIMM
- Dual Gigabit Ethernet
- 4 x RS-232/422/485 BIOS Selectable
- 1 x USB 3.0, 3 x USB 2.0 ports

Specifications	ARP-3811AP-E01	ARP-3815AP-E01
LCD Display		
Display Size (Diagonal)	10.1 inch	15.0 inch
Resolution	1280 x 800	1024 x 768
Backlight Lifetime (Hours)	50,000 hours	50,000 hours
Visual Characteristics		
Colors	16.2 million	16.7 million
Aspect Ratio	16:10	4:3
Viewing Angle (V/H)	170° / 170°	140° / 170°
Contrast Ratio	1300:1	700 : 1
Brightness	500 nits (Typical)	300 nits (Typical)
Touchscreen		
Technology	Projected Capacitive	Projected Capacitive
Interface	USB	USB
Driver	ThinManager Supported Driver	ThinManager Supported Driver
Front Bezel		
NEMA 4	Aluminum	Aluminum
NEMA 4x	Stainless Steel (Optional)	Stainless Steel (Optional)
System		
CPU	Intel E3845 1.91GHz ATOM CPU	Intel E3845 1.91GHz ATOM CPU
Chipset	Bay Trail	Bay Trail
Memory	4GB DDR3 SO-DIMM	4GB DDR3 SO-DIMM
Video Controller	Intel Gen7 Intel Graphics DX 11, OGL3.2	Intel Gen7 Intel Graphics DX 11, OGL3.2
External Video Output	VGA, HDMI	VGA, HDMI
Storage Option	N/A	N/A
Compact Flash	N/A	N/A
Keyboard / Mouse	USB / PS2	USB / PS2
Audio	N/A	N/A
Watchdog Timer	Programmable 1 - 255 sec	Programmable 1 - 255 sec
Remote Boot	ThinManager Ready, PXE	ThinManager Ready, PXE
Expansion Slot	Mini PCIe x 2	Mini PCIe x 2
I/O Communication		
USB Port	1 x USB 3.0, 3 x USB 2.0	1 x USB 3.0, 3 x USB 2.0
Serial Port	4 x RS-232/422/485 BIOS Selectable	4 x RS-232/422/485 BIOS Selectable
IEEE 1394	N/A	N/A
LAN	2 x Gigabit	2 x Gigabit
Parallel	N/A	N/A
GPIO	N/A	N/A
Smart Battery		
External Smart Battery	Optional	Optional
OS Support		
OS Support	N/A	N/A
Power/Thermal Specs		
Power Requirement (Max)	24VDC / 0.75A	24VDC / 1.3A
Power Consumption (Max)	18 W	32 W
Recommended Power Supply	26 W	45 W
Heat Dissipation	62 BTU/hr	108 BTU/hr
Physical Information		
Mounting	Panel mount	Panel Mount
Net Weight	12 Lbs / 5.44 Kg	12 Lbs / 5.44 Kg
Dimension (W x H x D)	--	14.09 x 11.10 x 4.33 inch 358.0 x 282.0 x 110.0 mm
Recommended Cutout Dimension (WxH)	--	13.44 x 10.45 inch 341.4 x 265.4 mm
Environmental		
Operating Temperature	0~50°C (32~122°F)	0~50°C (32~122°F)
Storage Temperature	-20~60°C (-4~140°F)	-20~60°C (-4~140°F)
Relative Humidity	0~95%	0~95%
IP/NEMA Rating	Bezel meets NEMA 4/4X requirement	Bezel meets NEMA 4/4X requirement
Certification	N/A	UL 61010



ARP-3800AP-E01 Series

Panel Mount Thin Client Panel PC with PCAP Touch Screen

Features

- 10.1 / 15 / 15.6 / 18.5 / 19 / 21.5 / 24 inch LCD
- Resolution up to 1920 x 1080
- Projected Capacitive Touch Screen
- Aluminum or Stainless Steel Flush Bezel
- Intel E3845 ATOM CPU/ Intel i7-6600U CPU
- 4GB DDR3 SO-DIMM
- Dual Gigabit Ethernet
- 4 x RS-232/422/485 BIOS Selectable
- 1 x USB 3.0, 3 x USB 2.0 ports

Specifications	ARP-3816AP-E01	ARP-3818AP-E01
LCD Display		
Display Size (Diagonal)	15.6 inch	18.5 inch
Resolution	1920 x 1080	1920 x 1080
Backlight Lifetime (Hours)	50,000 hours	50,000 hours
Visual Characteristics		
Colors	16.7 million	16.7 million
Aspect Ratio	16:9	16:9
Viewing Angle (V/H)	140° / 160°	178° / 178°
Contrast Ratio	700 : 1	1000 : 1
Brightness	400 nits (Typical)	450 nits (Typical)
Touchscreen		
Technology	Projected Capacitive	Projected Capacitive
Interface	USB	USB
Driver	ThinManager Supported Driver	ThinManager Supported Driver
Front Bezel		
NEMA 4	Aluminum	Aluminum
NEMA 4x	Stainless Steel (Optional)	Stainless Steel (Optional)
System		
CPU	Intel E3845 1.91GHz ATOM CPU	Intel E3845 1.91GHz ATOM CPU
Chipset	Bay Trail	Bay Trail
Memory	4GB DDR3 SO-DIMM	4GB DDR3 SO-DIMM
Video Controller	Intel Gen7 Intel Graphics DX 11, OGL3.2	Intel Gen7 Intel Graphics DX 11, OGL3.2
External Video Output	VGA, HDMI	VGA, HDMI
Storage Option	N/A	N/A
Compact Flash	N/A	N/A
Keyboard / Mouse	USB / PS2	USB / PS2
Audio	N/A	N/A
Watchdog Timer	Programmable 1 - 255 sec	Programmable 1 - 255 sec
Remote Boot	ThinManager Ready, PXE	ThinManager Ready, PXE
Expansion Slot	Mini PCIe x 2	Mini PCIe x 2
I/O Communication		
USB Port	1 x USB 3.0, 3 x USB 2.0	1 x USB 3.0, 3 x USB 2.0
Serial Port	4 x RS-232/422/485 BIOS Selectable	4 x RS-232/422/485 BIOS Selectable
IEEE 1394	N/A	N/A
LAN	2 x Gigabit	2 x Gigabit
Parallel	N/A	N/A
GPIO	N/A	N/A
Smart Battery		
External Smart Battery	Optional	Optional
OS Support		
OS Support	N/A	N/A
Power/Thermal Specs		
Power Requirement (Max)	24VDC / 1.3A	24VDC / 1.6A
Power Consumption (Max)	32 W	38 W
Recommended Power Supply	45 W	55W
Heat Dissipation	108 BTU/hr	130 BTU/hr
Physical Information		
Mounting	Panel mount	Panel Mount
Net Weight	12 Lbs / 5.44 Kg	
Dimension (W x H x D)	15.9 x 10.0 x 4.4 inch 403 x 255 x 113 mm	18.87 x 12.20 x 4.48 inch 479.3 x 310 x 113.8 mm
Recommended Cutout Dimension (WxH)	--	17.44 x 10.60 inch 443 x 269.4 mm
Environmental		
Operating Temperature	0~50°C (32~122°F)	0~50°C (32~122°F)
Storage Temperature	-20~60°C (-4~140°F)	-20~60°C (-4~140°F)
Relative Humidity	0~95%	0~95%
IP/NEMA Rating	Front Panel NEMA 4/4X, IP66	Bezel meets NEAM 4/4X
Certification	UL 61010	UL 61010



ARP-3800AP-E01 Series

Panel Mount Thin Client Panel PC with PCAP Touch Screen

Features

- 10.1 / 15 / 15.6 / 18.5 / 19 / 21.5 / 24 inch LCD
- Resolution up to 1920 x 1080
- Projected Capacitive Touch Screen
- Aluminum or Stainless Steel Flush Bezel
- Intel E3845 ATOM CPU/ Intel i7-6600U CPU
- 4GB DDR3 SO-DIMM
- Dual Gigabit Ethernet
- 4 x RS-232/422/485 BIOS Selectable
- 1 x USB 3.0, 3 x USB 2.0 ports

Specifications	ARP-3819AP-E01	ARP-3821AP-E01	ARP-3824AP-E01
LCD Display			
Display Size (Diagonal)	19.0 inch	21.5 inch	24.0 inch
Resolution	1280 x 1024	1920 x 1080	1920 x 1080
Backlight Lifetime (Hours)	50,000 hours	50,000 hours	50,000 hours
Visual Characteristics			
Colors	16.7 million	16.7 million	16.7 million
Aspect Ratio	5:4	16:9	16:9
Viewing Angle (V/H)	160° / 170°	178° / 178°	178° / 178°
Contrast Ratio	1000 : 1	1000 : 1	5000 : 1
Brightness	450 nits (Typical)	250 nits (Typical)	250 nits (Typical)
Touchscreen			
Technology	Projected Capacitive	Projected Capacitive	Projected Capacitive
Interface	USB	USB	USB
Driver	ThinManager Supported Driver	ThinManager Supported Driver	ThinManager Supported Driver
Front Bezel			
NEMA 4	Aluminum	Aluminum	Aluminum
NEMA 4x	Stainless Steel (Optional)	Stainless Steel (Optional)	Stainless Steel (Optional)
System			
CPU	Intel E3845 1.91GHz ATOM CPU	Intel E3845 1.91GHz ATOM CPU	Intel E3845 1.91GHz ATOM CPU
Chipset	Bay Trail	Bay Trail	Bay Trail
Memory	4GB DDR3 SO-DIMM	4GB DDR3 SO-DIMM	4GB DDR3 SO-DIMM
Video Controller	Intel Gen7 Intel Graphics DX 11, OGL3.2	Intel Gen7 Intel Graphics DX 11, OGL3.2	Intel Gen7 Intel Graphics DX 11, OGL3.2
External Video Output	VGA, HDMI	VGA, HDMI	VGA, HDMI
Storage Option	N/A	N/A	N/A
Compact Flash	N/A	N/A	N/A
Keyboard / Mouse	USB / PS2	USB / PS2	USB / PS2
Audio	N/A	N/A	N/A
Watchdog Timer	Programmable 1 - 255 sec	Programmable 1 - 255 sec	Programmable 1 - 255 sec
Remote Boot	ThinManager Ready, PXE	ThinManager Ready, PXE	ThinManager Ready, PXE
Expansion Slot	Mini PCIe x 2	Mini PCIe x 2	Mini PCIe x 2
I/O Communication			
USB Port	1 x USB 3.0, 3 x USB 2.0	1 x USB 3.0, 3 x USB 2.0	1 x USB 3.0, 3 x USB 2.0
Serial Port	4 x RS-232/422/485 BIOS Selectable	4 x RS-232/422/485 BIOS Selectable	4 x RS-232/422/485 BIOS Selectable
IEEE 1394	N/A	N/A	N/A
LAN	2 x Gigabit	2 x Gigabit	2 x Gigabit
Parallel	N/A	N/A	N/A
GPIO	N/A	N/A	N/A
Smart Battery			
External Smart Battery	Optional	Optional	Optional
OS Support			
OS Support	N/A	N/A	N/A
Power/Thermal Specs			
Power Requirement (Max)	24VDC / 1.8A	24VDC / 1.8A	24VDC / 2.5A
Power Consumption (Max)	43 W	43 W	60 W
Recommended Power Supply	65 W	62 W	85 W
Heat Dissipation	147 BTU/hr	147 BTU/hr	203 BTU/hr
Physical Information			
Mounting	Panel Mount	Panel Mount	Panel Mount
Net Weight	18 Lbs / 8.16 Kg	20 Lbs / 9.07 Kg	23 Lbs / 10.43 Kg
Dimension (W x H x D)	16.58 x 13.90 x 4.46 inch 428.0 x 353.0 x 113.2 mm	20.91 x 12.94 x 4.46 inch 531.0 x 328.8 x 113.3 mm	22.98 x 14.44 x 4.34 inch 583.7 x 366.7 x 110.2 mm
Recommended Cutout Dimension (WxH)	16.20 x 13.25 inch 411.4 x 336.4 mm	20.09 x 12.13 inch 510.2 x 308.0 mm	22.36 x 13.82 inch 568.1 x 351.1 mm
Environmental			
Operating Temperature	0~50°C (32~122°F)	0~50°C (32~122°F)	0~50°C (32~122°F)
Storage Temperature	-20~60°C (-4~140°F)	-20~60°C (-4~140°F)	-20~60°C (-4~140°F)
Relative Humidity	0~95%	0~95%	0~95%
IP/NEMA Rating	Bezel meets NEMA 4/4X requirement	Bezel meets NEMA 4/4X requirement	Bezel meets NEMA 4/4X requirement
Certification	UL 61010	UL 61010	UL 61010

ARP-3800AP-E01 Series

Ordering Information

Item	ARP-3811AP-E01-003-DR	ARP-3811AP-E01-007-DR
LCD Display	10.1" LCD / 1280 x 800	10.1" LCD / 1280 x 800
Touch Screen	Projected Capacitive	Projected Capacitive
Bezel	Aluminum	Stainless Steel
CPU	E3845 ATOM CPU	E3845 ATOM CPU
Memory	4GB DDR3	4GB DDR3
Storage	N/A	N/A
Remote Boot	ThinManager Ready	ThinManager Ready
Power Supply	110/220VAC Input DIN-Rail	110/220VAC Input DIN-Rail

Item	ARP-3815AP-E01-003-DR	ARP-3815AP-E01-007-DR
LCD Display	15.0" LCD / 1024 x 768	15.0" LCD / 1024 x 768
Touch Screen	Projected Capacitive	Projected Capacitive
Bezel	Aluminum	Stainless Steel
CPU	E3845 ATOM CPU	E3845 ATOM CPU
Memory	4GB DDR3	4GB DDR3
Storage	N/A	N/A
Remote Boot	ThinManager Ready	ThinManager Ready
Power Supply	110/220VAC Input DIN-Rail	110/220VAC Input DIN-Rail

Item	ARP-3816AP-E01-003-DR	ARP-3816AP-E01-007-DR
LCD Display	15.6" LCD / 1920 x 1080	15.6" LCD / 1920 x 1080
Touch Screen	Projected Capacitive	Projected Capacitive
Bezel	Aluminum	Stainless Steel
CPU	E3845 ATOM CPU	E3845 ATOM CPU
Memory	4GB DDR3	4GB DDR3
Storage	N/A	N/A
Remote Boot	ThinManager Ready	ThinManager Ready
Power Supply	110/220VAC Input DIN-Rail	110/220VAC Input DIN-Rail

Item	ARP-3818AP-E01-003	ARP-3818AP-E01-007
LCD Display	18.5" LCD / 1920 x 1080	18.5" LCD / 1920 x 1080
Touch Screen	Projected Capacitive	Projected Capacitive
Bezel	Aluminum	Stainless Steel
CPU	E3845 ATOM CPU	E3845 ATOM CPU
Memory	4GB DDR3	4GB DDR3
Storage	N/A	N/A
Remote Boot	ThinManager Ready	ThinManager Ready
Power Supply	110/220VAC Input DIN-Rail	110/220VAC Input DIN-Rail

Item	ARP-3819AP-E01-003-DR	ARP-3819AP-E01-007-DR
LCD Display	19.0" LCD / 1280 x 1024	19.0" LCD / 1280 x 1024
Touch Screen	Projected Capacitive	Projected Capacitive
Bezel	Aluminum	Stainless Steel
CPU	E3845 ATOM CPU	E3845 ATOM CPU
Memory	4GB DDR3	4GB DDR3
Storage	N/A	N/A
Remote Boot	ThinManager Ready	ThinManager Ready
Power Supply	110/220VAC Input DIN-Rail	110/220VAC Input DIN-Rail

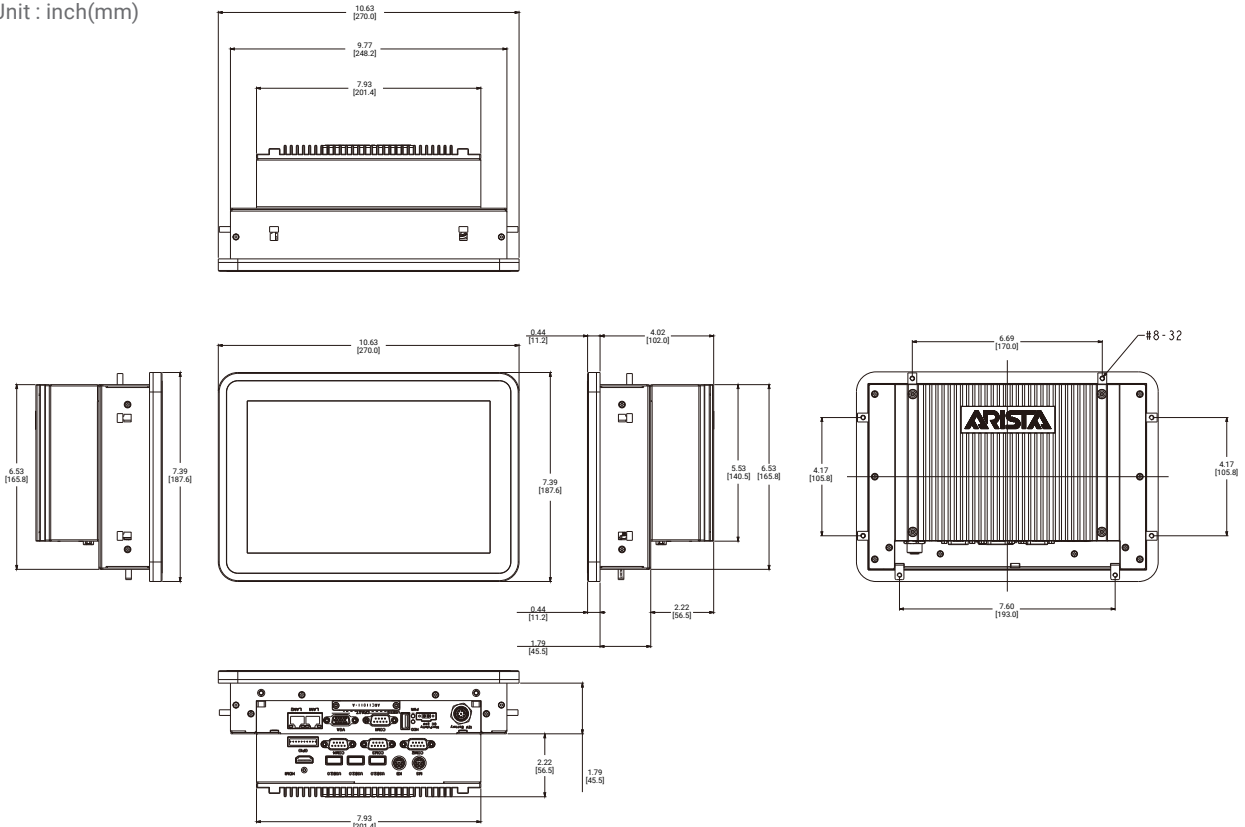
Item	ARP-3821AP-E01-003-DR	ARP-3821AP-E01-007-DR
LCD Display	21.5" LCD / 1920 x 1080	21.5" LCD / 1920 x 1080
Touch Screen	Projected Capacitive	Projected Capacitive
Bezel	Aluminum	Stainless Steel
CPU	E3845 ATOM CPU	E3845 ATOM CPU
Memory	4GB DDR3	4GB DDR3
Storage	N/A	N/A
Remote Boot	ThinManager Ready	ThinManager Ready
Power Supply	110/220VAC Input DIN-Rail	110/220VAC Input DIN-Rail

Item	ARP-3824AP-E01-003-DR	ARP-3824AP-E01-007-DR
LCD Display	24.0" LCD / 1920 x 1080	24.0" LCD / 1920 x 1080
Touch Screen	Projected Capacitive	Projected Capacitive
Bezel	Aluminum	Stainless Steel
CPU	E3845 ATOM CPU	E3845 ATOM CPU
Memory	4GB DDR3	4GB DDR3
Storage	N/A	N/A
Remote Boot	ThinManager Ready	ThinManager Ready
Power Supply	110/220VAC Input DIN-Rail	110/220VAC Input DIN-Rail

Dimension Drawing

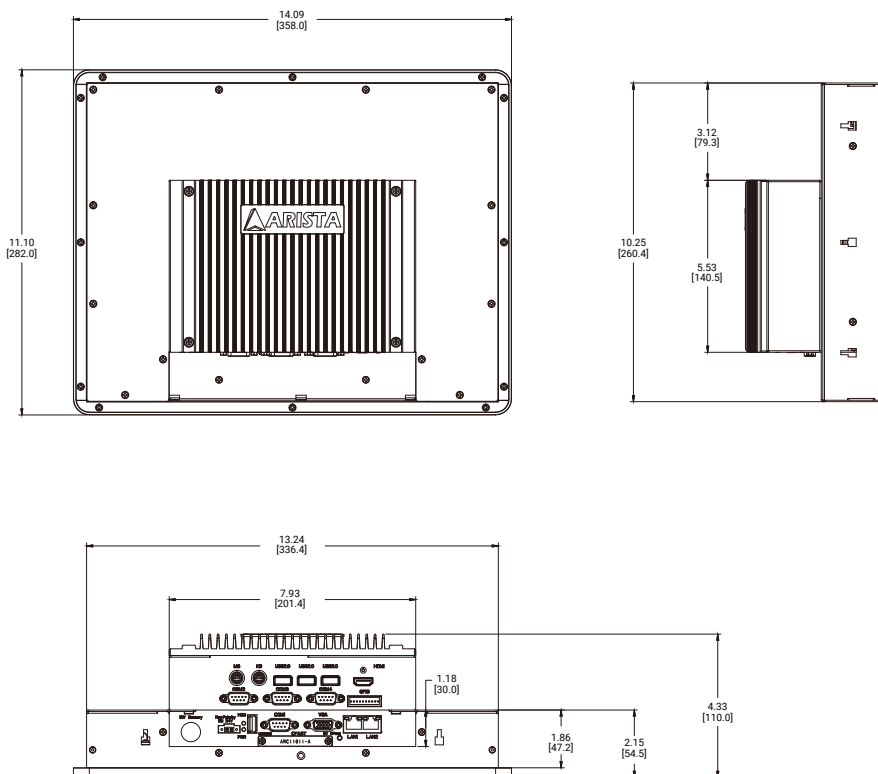
ARP-3811AP-E01

Size Unit : inch(mm)



ARP-3815AP-E01

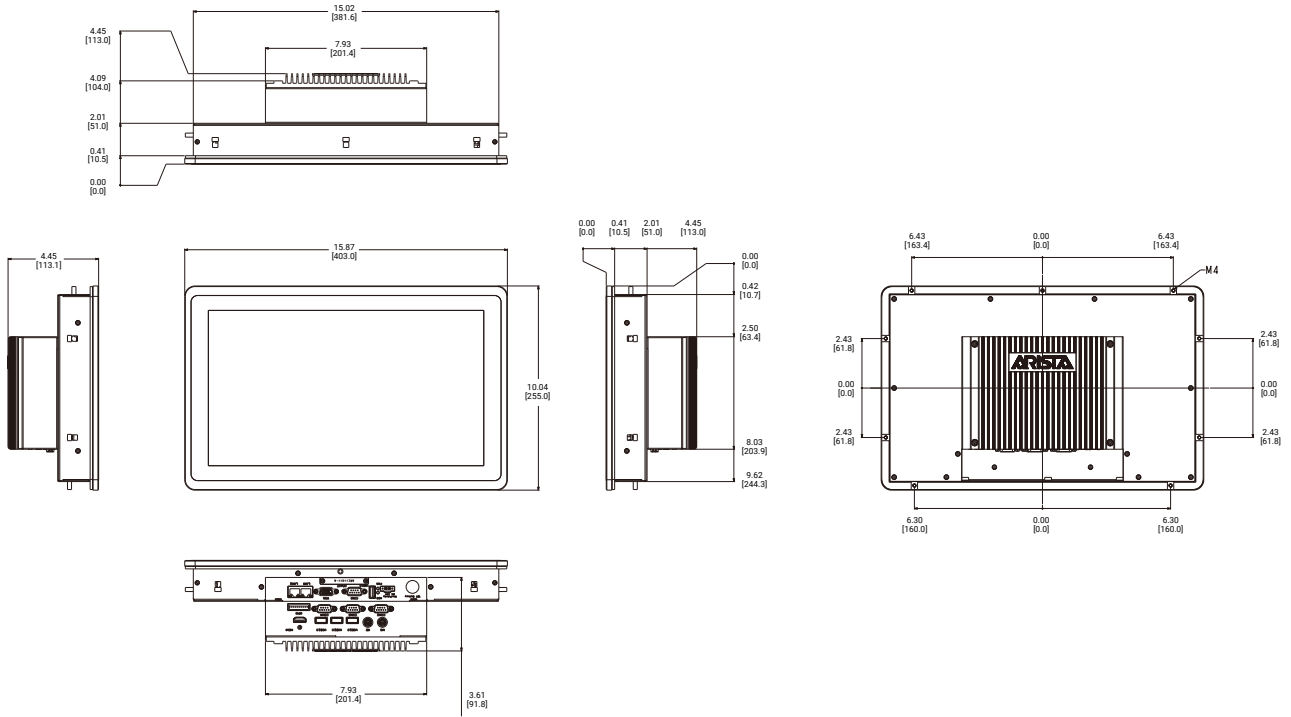
Size Unit : inch(mm)



Dimension Drawing

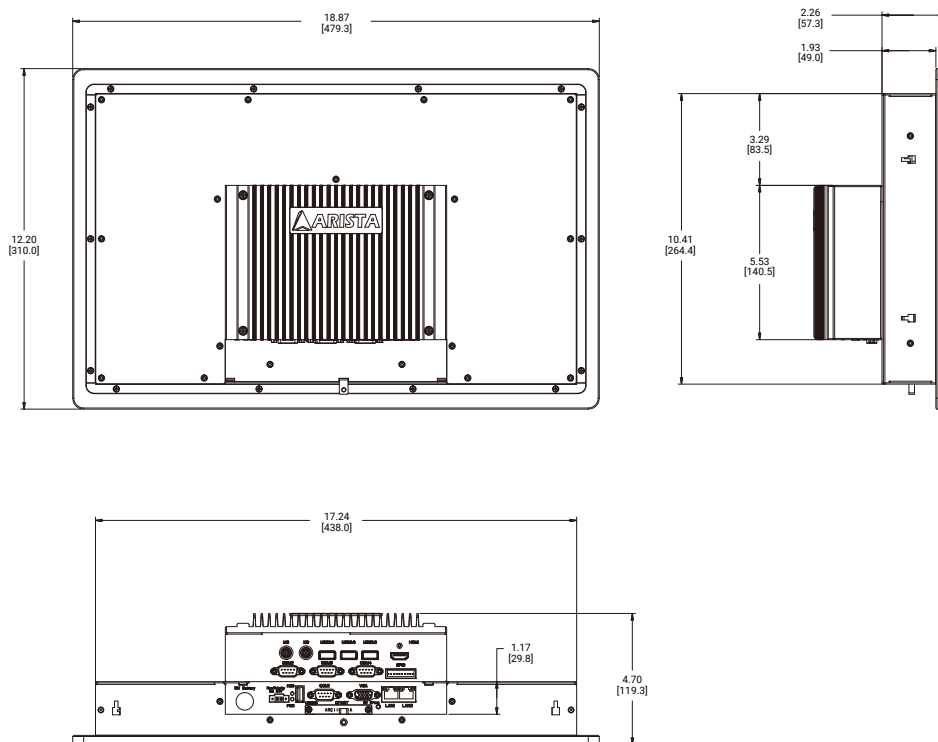
ARP-3816AP-E01

Size Unit : inch(mm)



ARP-3818AP-E01

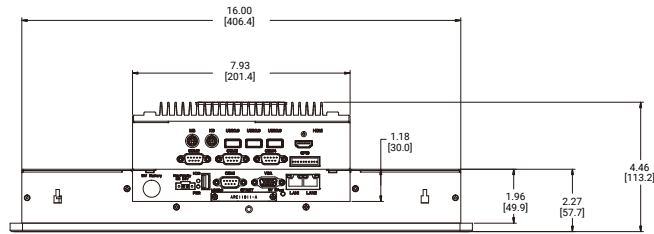
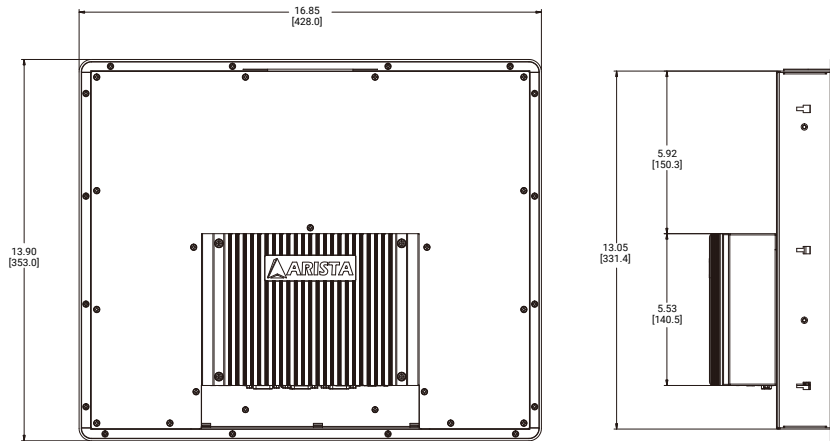
Size Unit : inch(mm)



Dimension Drawing

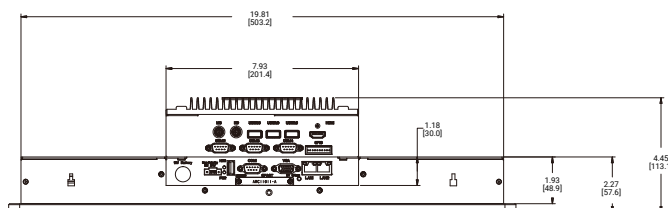
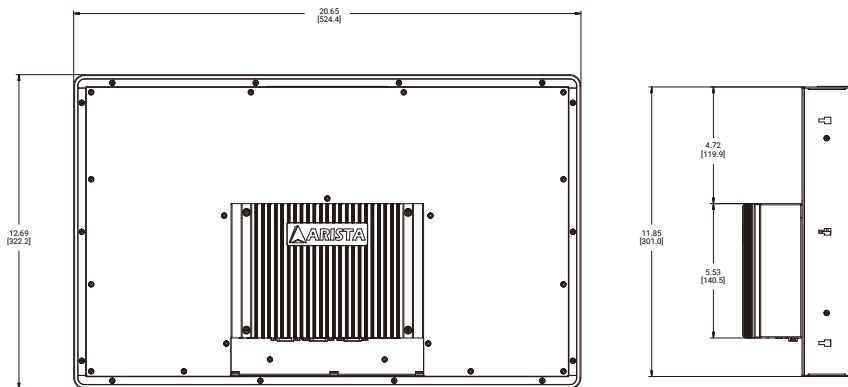
ARP-3819AP-E01

Size Unit : inch(mm)



ARP-3821AP-E01

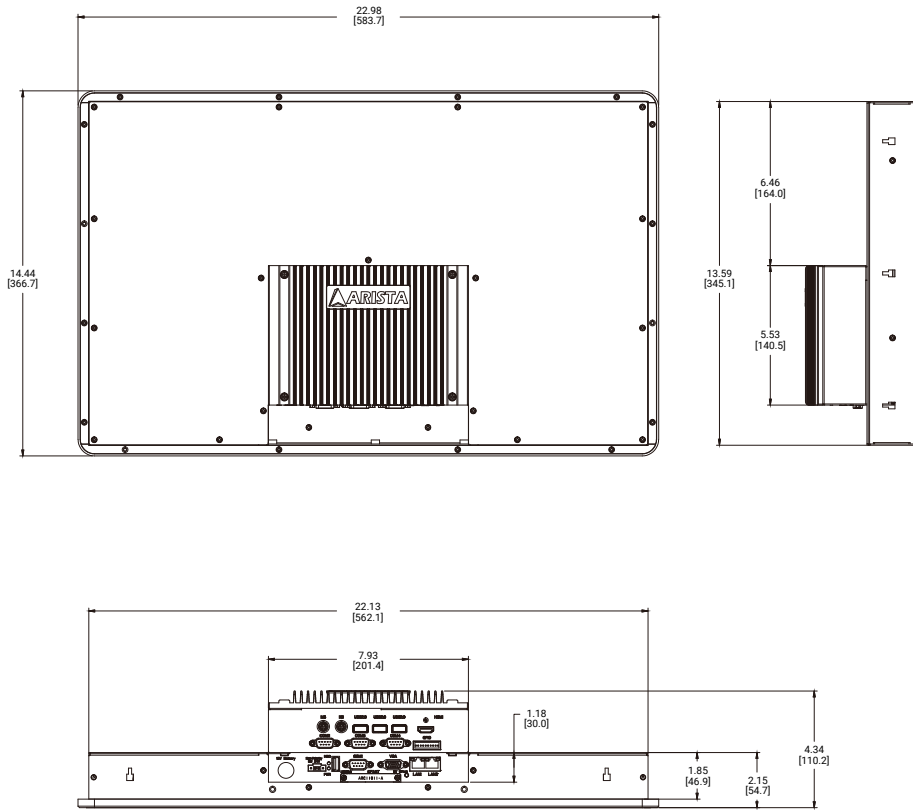
Size Unit : inch(mm)



Dimension Drawing

ARP-3824AP-E01

Size Unit : inch(mm)





VESA Mount Thin Clients



ARP-3800BP-E01-003 Series

VESA Mount Thin Client Panel PC with PCAP Touch Screen

Features

- 15.6 / 18.5 / 21.5 / 55 inch LCD
- Resolution up to 1920 x 1080
- Projected Capacitive Touch Screen
- VESA Mount / Wall Mount
- Intel E3845 ATOM CPU
- 4GB DDR3 SO-DIMM
- Dual Gigabit Ethernet
- 2 x RS-232/422/485 BIOS Selectable
- 1 x USB 3.0, 3 x USB 2.0 ports
- Line Out, Mic In
- ThinManager Ready

Specifications	ARP-3816BP-E01-003	ARP-3818BP-E01-003	ARP-3821BP-E01-003
LCD Display			
Display Size (Diagonal)	15.6 inch	18.5 inch	21.5 inch
Max Resolution	1920 x 1080	1920 x 1080	1920 x 1080
Backlight Lifetime (Hours)	50,000 hours	50,000 hours	50,000 hours
Visual Characteristics			
Colors	16.7 million	16.7 million	16.7 million
Aspect Ratio	16:9	16:9	16:9
Viewing Angle (V/H)	140° / 160°	178° / 178°	178° / 178°
Contrast Ratio	700 : 1	1000 : 1	1000 : 1
Brightness	400 nits (Typical)	450 nits (Typical)	250 nits (Typical)
Touchscreen			
Technology	Projected Capacitive	Projected Capacitive	Projected Capacitive
Interface	USB	USB	USB
Driver	ThinManager Supported Driver	ThinManager Supported Driver	ThinManager Supported Driver
Enclosure			
Colors	Black Color	Black Color	Black Color
System			
CPU	Intel E3845 1.91GHz ATOM CPU	Intel E3845 1.91GHz ATOM CPU	Intel E3845 1.91GHz ATOM CPU
Chipset	Bay Trail	Bay Trail	Bay Trail
Memory	4GB DDR3 SO-DIMM	4GB DDR3 SO-DIMM	4GB DDR3 SO-DIMM
Video Controller	Intel Gen7 Intel Graphics DX 11, OGL3.2	Intel Gen7 Intel Graphics DX 11, OGL3.2	Intel Gen7 Intel Graphics DX 11, OGL3.2
External Video Output	VGA, HDMI	VGA, HDMI	VGA, HDMI
Storage Option	N/A	N/A	N/A
Compact Flash	N/A	N/A	N/A
Keyboard / Mouse	USB / PS2	USB / PS2	USB / PS2
Audio	Line Out, Mic In	Line Out, Mic In	Line Out, Mic In
Watchdog Timer	Programmable 1 - 255 sec	Programmable 1 - 255 sec	Programmable 1 - 255 sec
Remote Boot	ThinManager Ready, PXE	ThinManager Ready, PXE	ThinManager Ready, PXE
Expansion Slot	Mini PCIe x 2	Mini PCIe x 2	Mini PCIe x 2
I/O Communication			
USB Port	1 x USB 3.0, 3 x USB 2.0	1 x USB 3.0, 3 x USB 2.0	1 x USB 3.0, 3 x USB 2.0
Serial Port	2 x RS-232/422/485 BIOS Selectable	2 x RS-232/422/485 BIOS Selectable	2 x RS-232/422/485 BIOS Selectable
IEEE 1394	N/A	N/A	N/A
LAN	2 x Gigabit	2 x Gigabit	2 x Gigabit
Parallel	N/A	N/A	N/A
GPIO	N/A	N/A	N/A
Smart Battery			
External Smart Battery	N/A	N/A	N/A
OS Support			
OS Support	N/A	N/A	N/A
Power/Thermal Specs			
Power Requirement (Max)	24VDC / 1.3A	24VDC / 1.6A	24VDC / 1.8A
Power Consumption (Max)	32 W	38 W	43 W
Recommended Power Supply	45 W	55W	62 W
Heat Dissipation	108 BTU/hr	130 BTU/hr	147 BTU/hr
Physical Information			
Mounting	VESA Mount	VESA Mount	VESA Mount
Dimension (W x H x D)	--	--	--
Recommended Cutout Dimension (WxH)	--	--	--
Environmental			
Operating Temperature	0~50°C (32~122°F)	0~50°C (32~122°F)	0~50°C (32~122°F)
Storage Temperature	-20~60°C (-4~140°F)	-20~60°C (-4~140°F)	-20~60°C (-4~140°F)
Relative Humidity	0~95%	0~95%	0~95%
IP/NEMA Rating	meets IP50	meets IP50	meets IP50
Certification	N/A	N/A	N/A

ARP-3855BP-E01-003

VESA Mount Thin Client Panel PC with 55 inch PCAP Touch Screen



Features

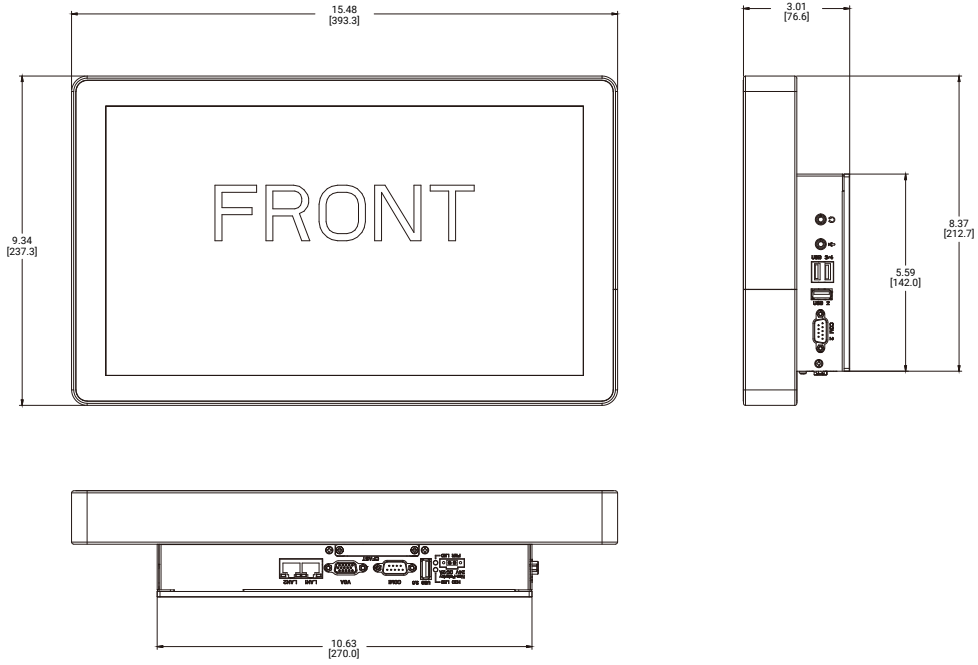
- 55" LCD, 1920 x 1080 Resolution
- Projected Capacitive Touch Screen
- VESA Mount / Wall Mount
- Intel E3845 ATOM CPU
- 4GB DDR3 SO-DIMM
- Dual Gigabit Ethernet
- 2 x RS-232/422/485 BIOS Selectable
- 1 x USB 3.0, 3 x USB 2.0 ports
- Line Out, Mic In
- ThinManager Ready

Specifications	ARP-3855BP-E01-003
LCD Display	
Display Size (Diagonal)	55.0 inch
Max Resolution	1920 x 1080
Backlight Lifetime (Hours)	50,000
Visual Characteristics	
Colors	1073.7 million
Aspect Ratio	16:9
Viewing Angle (V/H)	178° / 178°
Contrast Ratio	4000 : 1
Brightness	500 nits
Touchscreen	
Technology	Projected Capacitive
Interface	USB
Driver	ThinManager Supported Driver
Enclosure	
Colors	Black Color
Protection	Meets IP50
System	
CPU	Intel E3845 1.91GHz ATOM CPU
Chipset	Bay Trail
Memory	4GB DDR3 SO-DIMM
Video Controller	Intel Gen7 Intel Graphics DX 11, OGL3.2
External Video Output	VGA, HDMI
Storage Option	N/A
Compact Flash	N/A
Keyboard / Mouse	USB / PS2
Audio	Line Out, Mic In
Watchdog Timer	Programmable 1 - 255 sec
Remote Boot	ThinManager Ready, PXE
Expansion Slot	Mini PCIe x 2
I/O Communication	
USB Port	1 x USB 3.0, 3 x USB 2.0
Serial Port	2 x RS-232/422/485 BIOS Selectable
IEEE 1394	N/A
LAN	2 x Gigabit
Parallel	N/A
GPIO	N/A
Smart Battery	
External Smart Battery	N/A
OS Support	
OS Support	N/A
Power/Thermal Specs	
Power Requirement (Max)	110VAC / 2.41A, 220VAC / 1.20A
Power Consumption (Max)	265 W
Recommended Power Supply	378 W
Heat Dissipation	903 BTU/hr
Physical Information	
Mounting	VESA Mount
Net Weight	--
Dimension (W x H x D)	50.85 x 30.02 x 3.25 inch 1291.5 x 762.5 x 82.6 mm
Recommended Cutout Dimension (WxH)	N/A
Environmental	
Operating Temperature	0~40°C (32~104°F)
Storage Temperature	-20~60°C (-4~140°F)
Relative Humidity	10~95% (non-condensing)
IP/NEMA Rating	N/A
Certification	N/A

Dimension Drawing

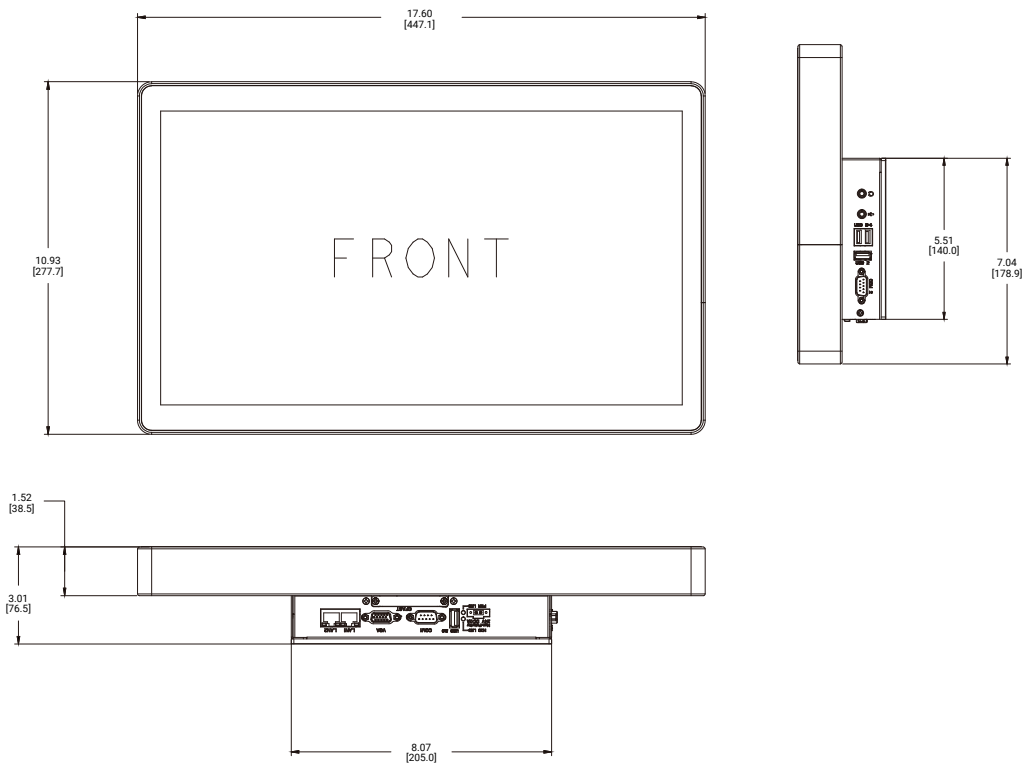
ARP-3816BP-E01

Size Unit : inch(mm)



ARP-3818BP-E01

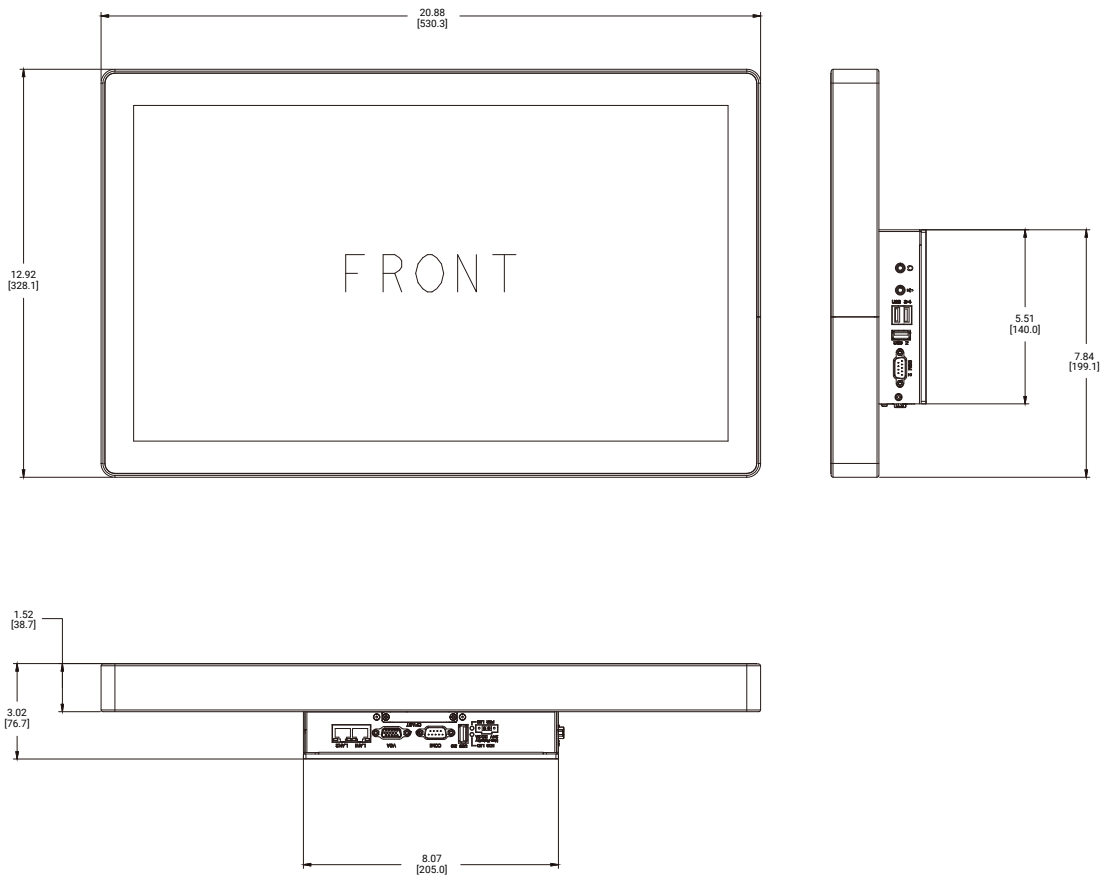
Size Unit : inch(mm)



Dimension Drawing

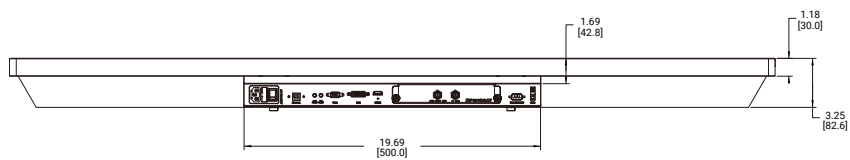
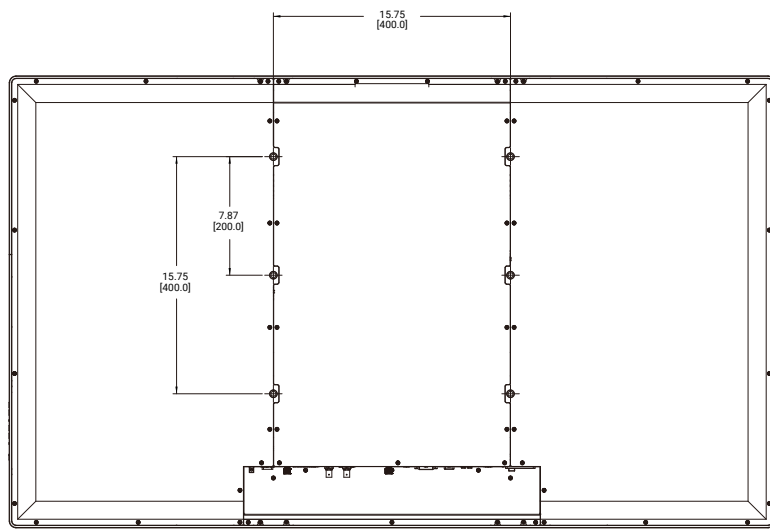
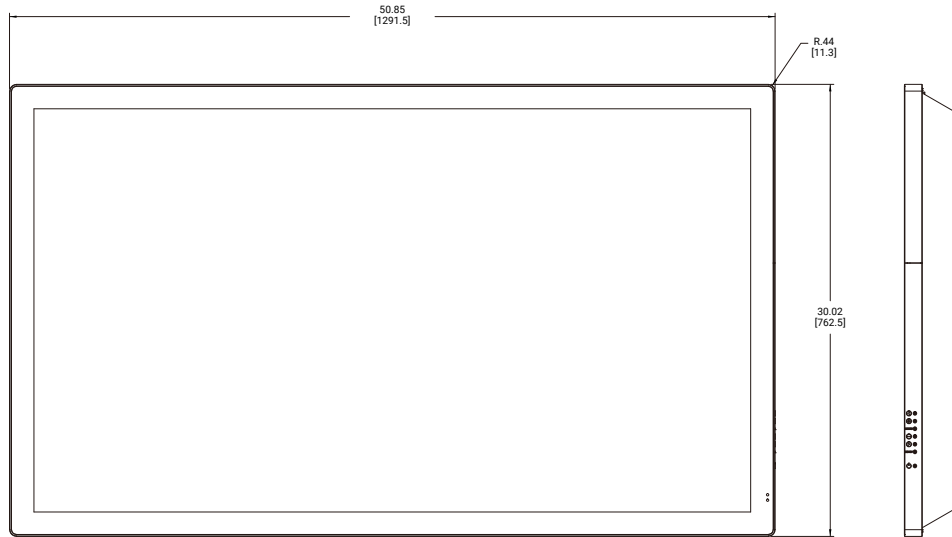
ARP-3821BP-E01

Size Unit : inch(mm)



Dimension Drawing

ARP-3855BP-E01
Size Unit : inch(mm)





Waterproof Thin Clients



ARP-3821AX-E01-007-DR

NEMA 4X Thin Client Panel PC with 21.5" PCAP Touch Screen

Features

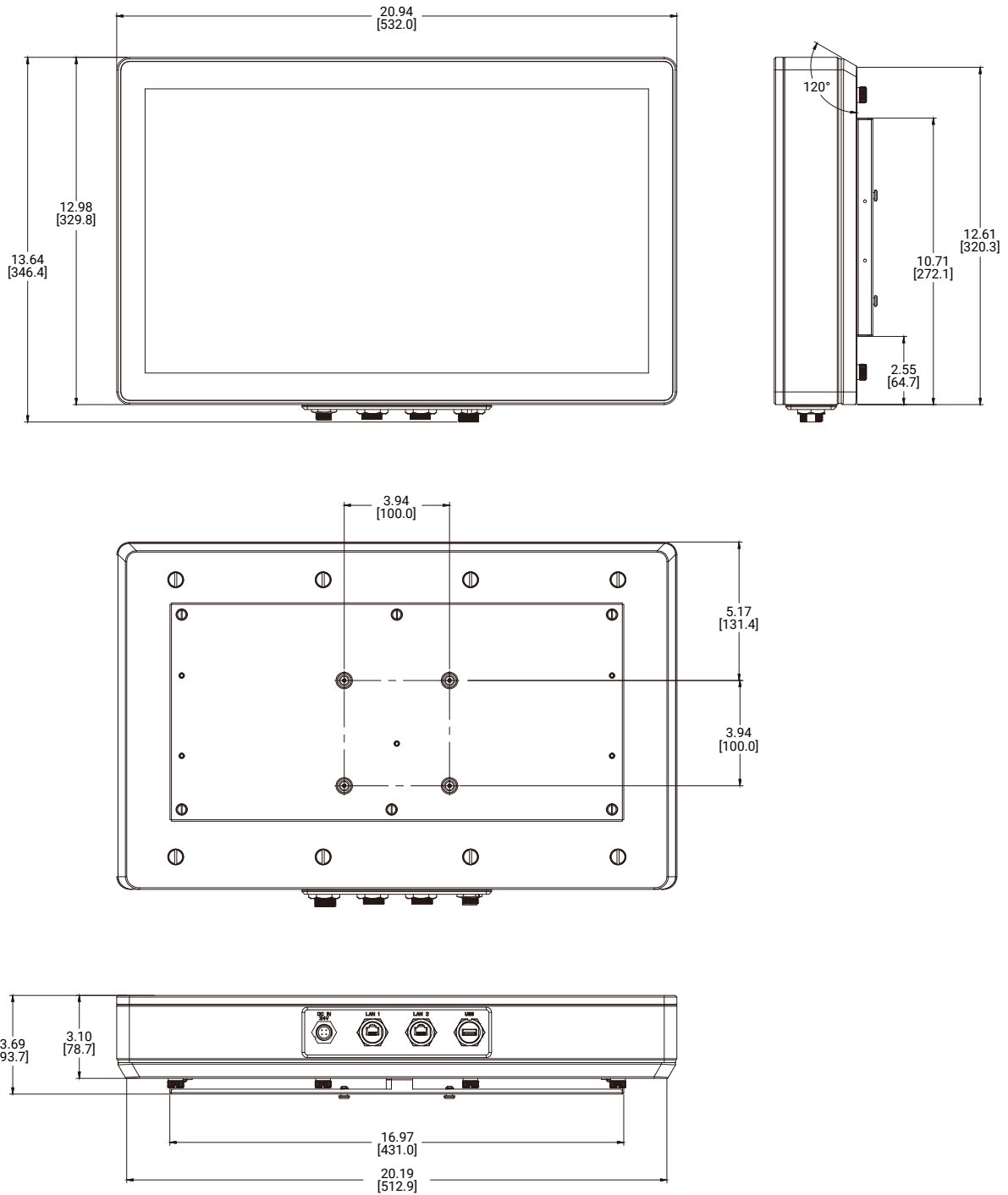
- 21.5" LCD, 1920 x 1080 Resolution
- Projected Capacitive Touch Screen
- Stainless Steel Enclosure
- Intel E3845 ATOM CPU/ Intel i7-6600U CPU
- 4GB DDR3 SO-DIMM
- Gigabit Ethernet
- 2x USB 2.0 ports
- Optional C1D2 Hazardous Area Approved Configuration

Specifications	ARP-3821AX-E01-007-DR
LCD Display	
Display Size (Diagonal)	21.5 inch
Max Resolution	1920 x 1080
Backlight Lifetime (Hours)	50,000 hours
Visual Characteristics	
Colors	16.7 million
Aspect Ratio	16:9
Viewing Angle (V/H)	178° / 178°
Contrast Ratio	1000 : 1
Brightness	250 nits
Touchscreen	
Technology	Projected Capacitive
Interface	USB x 2
Driver	ThinManager Supported Driver
Enclosure	
NEMA 4	N/A
NEMA 4x	Stainless Steel
System	
CPU	Intel E3845 1.91GHz ATOM CPU
Chipset	Bay Trail
Memory	4GB DDR3 SO-DIMM
Video Controller	Intel Gen7 Intel Graphics DX 11, OGL3.2
External Video Output	N/A
Storage Option	N/A
Compact Flash	N/A
Keyboard / Mouse	USB
Audio	N/A
Watchdog Timer	Programmable 1 - 255 sec
Remote Boot	ThinManager Ready, PXE
Expansion Slot	N/A
I/O Communication	
USB Port	2 x USB 2.0
Serial Port	N/A
IEEE 1394	N/A
LAN	1 x Gigabit
Parallel	N/A
GPIO	N/A
Smart Battery	
External Smart Battery	N/A
OS Support	
OS Support	N/A
Power/Thermal Specs	
Power Requirement (Max)	24VDC / 1.58A
Power Consumption (Max)	38 W
Recommended Power Supply	55 W
Heat Dissipation	130 BTU/hr
Physical Information	
Mounting	Pedestal, VESA, Wall mount, Benchtop
Net Weight	27 Lbs / 12.25 Kg
Dimension (W x H x D)	20.94 x 13.64 x 3.69 inch 532.0 x 346.4 x 93.7 mm
Environmental	
Operating Temperature	0~50°C (32~122°F)
Storage Temperature	-20~60°C (-4~140°F)
Relative Humidity	0~95%
IP/NEMA Rating	Meets NEMA 4X
Certification	N/A

Dimension Drawing

ARP-3821AX-E01

Size Unit : inch(mm)





ARP-5500AX-E01-007-DR Series

NEMA 4X Thin Client Panel PC with Resistive Touch Screen

Features

- 15 / 17 / 19 inch LCD
- Resolution up to 1280 x 1024
- 5-Wire Resistive Touch
- Stainless Steel Enclosure
- Intel E3845 ATOM CPU/ Intel i7-6600U CPU
- 4GB DDR3 SO-DIMM
- Gigabit Ethernet
- 2x USB 2.0 ports
- Optional C1D2 Hazardous Area Approved Configuration

Specifications	ARP-5515AX-E01-007-DR	ARP-5517AX-E01-007-DR	ARP-5519AX-E01-007-DR
LCD Display			
Display Size (Diagonal)	15.0 inch	17.0 inch	19.0 inch
Resolution	1024 x 768	1280 x 1024	1280 x 1024
Backlight Lifetime (Hours)	50,000	50,000 hours	50,000 hours
Visual Characteristics			
Colors	16.7 million	16.7 million	16.7 million
Aspect Ratio	4:3	5:4	5:4
Viewing Angle (V/H)	140° / 170°	160° / 140°	160° / 170°
Contrast Ratio	700 : 1	800 : 1	1000 : 1
Brightness	300 nits (max)	350 nits	450 nits
Touchscreen			
Technology	5 Wire Resistive	5 Wire Resistive	5 Wire Resistive
Interface	USB X 2	USB x 2	USB x 2
Driver	ThinManager Supported Driver	ThinManager Supported Driver	ThinManager Supported Driver
Enclosure			
NEMA 4	N/A	N/A	N/A
NEMA 4x	Stainless Steel	Stainless Steel	Stainless Steel
System			
CPU	Intel E3845 1.91GHz ATOM CPU	Intel E3845 1.91GHz ATOM CPU	Intel E3845 1.91GHz ATOM CPU
Chipset	Bay Trail	Bay Trail	Bay Trail
Memory	4GB DDR3 SO-DIMM	4GB DDR3 SO-DIMM	4GB DDR3 SO-DIMM
Video Controller	Intel Gen7 Intel Graphics DX 11, OGL3.2	Intel Gen7 Intel Graphics DX 11, OGL3.2	Intel Gen7 Intel Graphics DX 11, OGL3.2
External Video Output	N/A	N/A	N/A
Storage Option	N/A	N/A	N/A
Compact Flash	N/A	N/A	N/A
Keyboard / Mouse	USB	USB	USB
Audio	N/A	N/A	N/A
Watchdog Timer	Programmable 1 - 255 sec	Programmable 1 - 255 sec	Programmable 1 - 255 sec
Remote Boot	ThinManager Ready, PXE	ThinManager Ready, PXE	ThinManager Ready, PXE
Expansion Slot	N/A	N/A	N/A
I/O Communication			
USB Port	2 x USB 2.0	2 x USB 2.0	2 x USB 2.0
Serial Port	N/A	N/A	N/A
IEEE 1394	N/A	N/A	N/A
LAN	1 x Gigabit	1 x Gigabit	1 x Gigabit
Parallel	N/A	N/A	N/A
GPIO	N/A	N/A	N/A
Smart Battery			
External Smart Battery	N/A	N/A	N/A
OS Support			
OS Support	N/A	N/A	N/A
Power/Thermal Specs			
Power Requirement (Max)	24VDC / 1.17A	24VDC / 1.25A	24VDC / 1.25A
Power Consumption (Max)	28 W	30 W	30 W
Recommended Power Supply	40 W	43 W	43 W
Heat Dissipation	96 BTU/hr	103 BTU/hr	103 BTU/hr
Physical Information			
Mounting	Pedestal, VESA, Wall and Ceiling mount, Benchtop	Pedestal, VESA, Wall and Ceiling mount, Benchtop	Pedestal, VESA, Wall and Ceiling mount, Benchtop
Net Weight	32 Lbs/ 14.52 kg	34 Lbs / 15.42 Kg	35 Lbs / 15.88 Kg
Physical Dimension (W x H x D)	14.51 x 12.42 x 4.09 inch 368.6 x 315.5 x 103.9 mm	15.88 x 14.07 x 4.36 inch 403.4 x 357.4 x 110.7 mm	17.80 x 15.19 x 4.40 inch 452.1 x 385.8 x 111.8 mm
Recommended Cutout Dimension (WxH)	N/A	N/A	N/A
Environmental			
Operating Temperature	0~50°C (32~122°F)	0~50°C (32~122°F)	0~50°C (32~122°F)
Storage Temperature	-20~60°C (-4~140°F)	-20~60°C (-4~140°F)	-20~60°C (-4~140°F)
Relative Humidity	0~95%	0~95%	0~95%
IP/NEMA Rating	Meets NEMA 4X	Meets NEMA 4X	Meets NEMA 4X
Certification	N/A	N/A	N/A



ARP-5542AX-E01-007-DR

NEMA 4X Thin Client Panel PC with 42" IR Touch Screen

Features

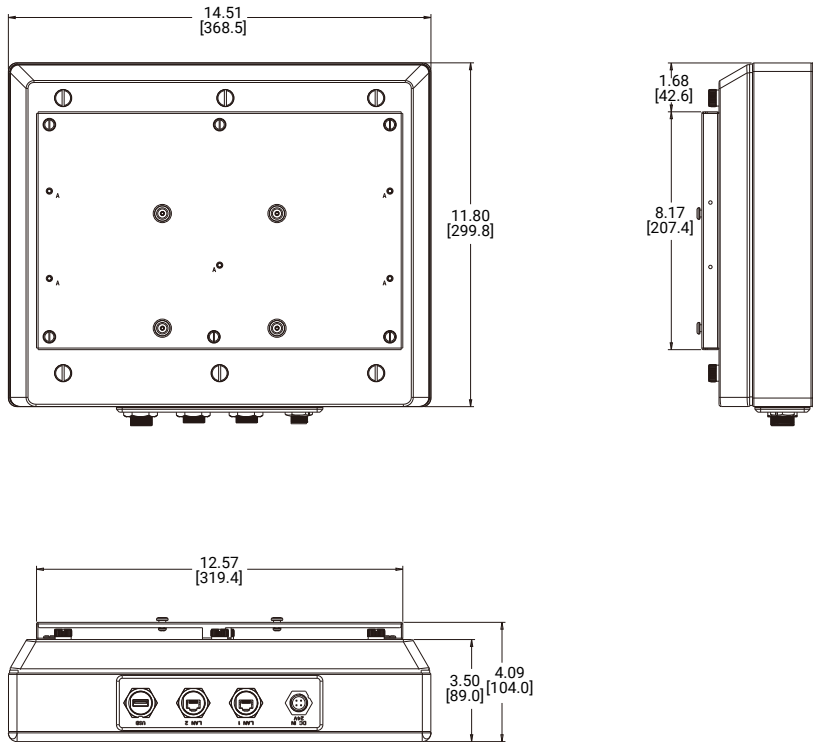
- 42" LCD, 1920 x 1080 Resolution
- IR Touch or Tempered Glass
- Stainless Steel Enclosure
- Intel E3845 ATOM CPU/ Intel i7-6600U CPU
- 4GB DDR3 SO-DIMM
- Gigabit Ethernet
- 2x USB 2.0 ports

Specifications	ARP-5542AX-E01-007-DR
LCD Display	
Display Size (Diagonal)	42 inch
Max Resolution	1920 x 1080
Backlight Lifetime (Hours)	50,000 hours
Visual Characteristics	
Colors	1073 million
Aspect Ratio	16:9
Viewing Angle (V/H)	178° / 178°
Contrast Ratio	4000:1
Brightness	500 nits
Touchscreen	
Technology	Infrared
Interface	USB x 2
Driver	ThinManager Supported Driver
System	
CPU	Intel E3845 1.91GHz ATOM CPU
Chipset	Bay Trail
Memory	4GB DDR3 SO-DIMM
Video Controller	Intel Gen7 Intel Graphics DX 11, OGL3.2
External Video Output	N/A
Storage Option	N/A
Compact Flash	N/A
Keyboard / Mouse	USB
Audio	N/A
Watchdog Timer	Programmable 1 - 255 sec
Remote Boot	ThinManager Ready, PXE
Expansion Slot	N/A
I/O Communication	
USB Port	2 x USB 2.0
Serial Port	N/A
IEEE 1394	N/A
LAN	1 x Gigabit
Parallel	N/A
GPIO	N/A
Smart Battery	
External Smart Battery	N/A
OS Support	
OS Support	N/A
Power/Thermal Specs	
Power Requirement (Max)	24VDC / 7.54A
Power Consumption (Max)	181 W
Recommended Power Supply	259 W
Heat Dissipation	618 BTU/hr
Physical Information	
Mounting	Wall mount
Net Weight	110 Lbs/ 50 kg
Dimension (W x H x D)	42.87 x 27.29 x 5.38 inch 1089.0 x 693.05 x 136.1 mm
Recommended Cutout Dimension (WxH)	N/A
Environmental	
Operating Temperature	0~50°C (32~122°F)
Storage Temperature	-20~60°C (-4~140°F)
Relative Humidity	0~95%
IP/NEMA Rating	Meets NEMA 4X
Certification	N/A

Dimension Drawing

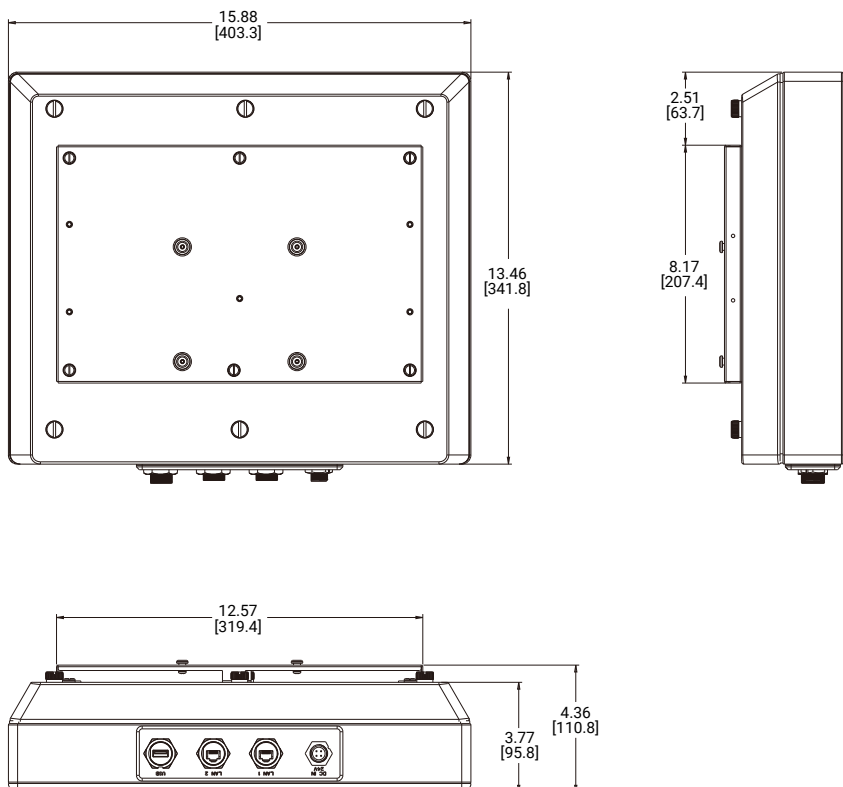
ARP-5515AX-E01

Size Unit : inch(mm)



ARP-5517AX-E01

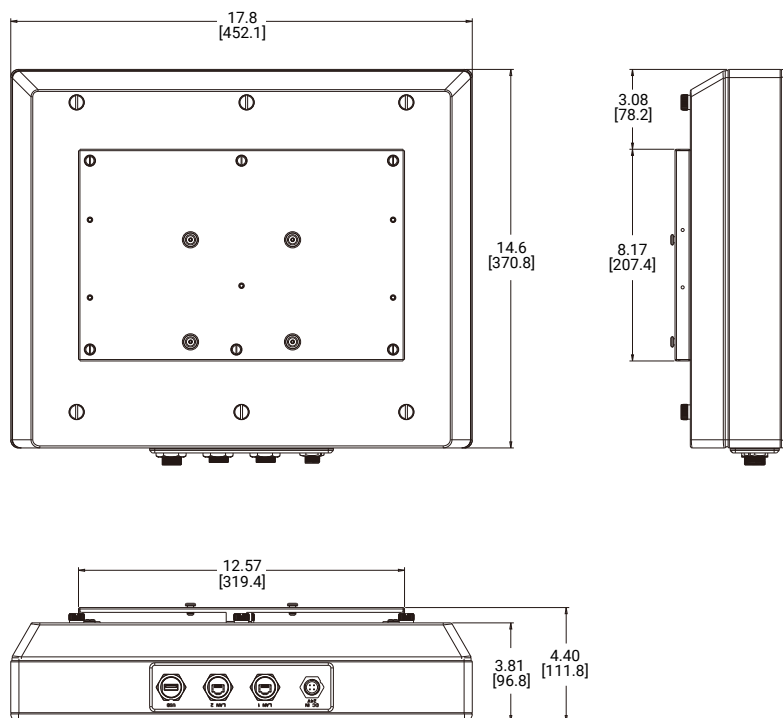
Size Unit : inch(mm)



Dimension Drawing

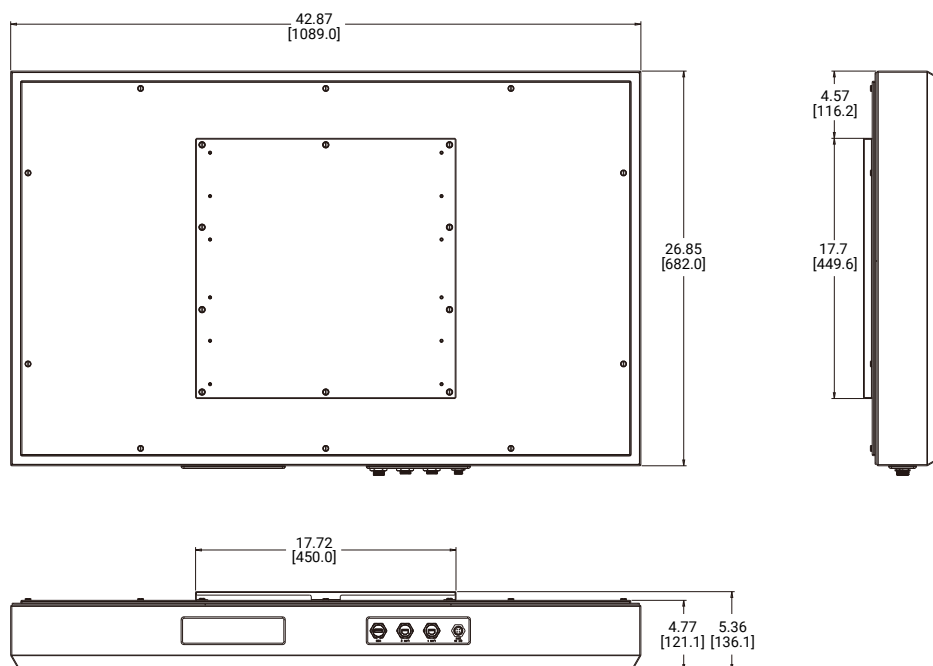
ARP-5519AX-E01

Size Unit : inch(mm)



ARP-5542AX-E01

Size Unit : inch(mm)





Hazardous Areas Class 1 Division 2 Panel PCs Thin Client

Hazardous Areas C1D2 Panel PCs Thin Client



ARISTA offers a wide range of panel mount and fully sealed TPC, ARP-2200AP-G01 Series, ARP-3821AX-E01, and ARP-5500AX-E01 Series, designed for use in environments where the existence of flammable gases or vapors and/or combustible dust may be present in the air during an abnormal occurrence such as a spill or a leak and to prevent ignition of flammable substances like gases, vapors, and liquids that are present within Class 1 Division 2 hazardous zone applications.



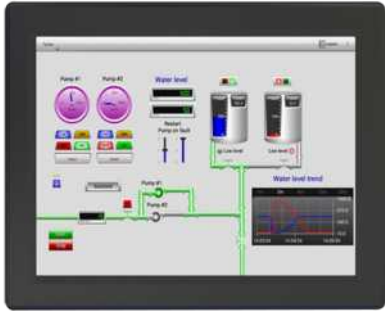
ARP-2200AP-G00 Series is Panel Mount TPC products family and ARP-5500AX-G00 is stainless steel fully sealed, fully enclosed TPC which has no external vents hence protect the components from gases, dust, dirt, moisture, chemicals, oil, and other external contaminants in an explosive environment. Both series are powered by Intel i7 CPU and integrated LCD display size ranging from 15", 17", 19" to 21.5". Powered by Intel i7 CPU and up to 16GB system memory and can run on Windows 64-bit operating system to meet most of SCADA/HMI applications. 21.5" Wide Screen, 16:9 aspect ratio, full HD 1920 x 1080 resolution keeps ARISTAs Class 1 Division 2 hazardous zone TPC ahead of market trend.



Both ARP-2200AP-G01 and ARP-5500AX-E01 Series have ACP-enabled Thin Client version as well. ARP-2200AP-G01 and ARP-5500AX-E01 Series ACP-enabled Thin Client version offers centralized management solutions for the factory floor, plant operational, and hazardous area locations.

ARP-2200AP-G01 Series

C1D2 Location Panel Mount Thin Client Panel PC with
15" 5-Wire Resistive Touch



Features

- 15 / 17 / 19 / 21.5 inch LCD
- Resolution up to 1920 x 1080
- 5-Wire Resistive Touch
- Aluminum or Stainless Steel Bezel
- Intel i7-3612QM CPU
- 8GB DDR3 SO-DIMM
- Dual Gigabit Ethernet
- 2 x RS-232/422/485 BIOS Selectable
- 4 x USB 3.0, 2 x USB 2.0 ports
- ThinManager Ready

Specifications	ARP-2215AP-G01	ARP-2217AP-G01
LCD Display		
Display Size (Diagonal)	15.0 inch	17.0 inch
Resolution	1024 x 768	1280 x 1024
Backlight Lifetime (Hours)	50,000	50,000
Visual Characteristics		
Colors	16.7 million	16.7 million
Aspect Ratio	4:3	5:4
Viewing Angle (V/H)	140° / 160°	140° / 160°
Contrast Ratio	700 : 1	800 : 1
Brightness	300 nits	350 nits
Touchscreen		
Technology	5 Wire Resistive	5 Wire Resistive
Interface	USB	USB
Driver	ThinManager Supported Driver	ThinManager Supported Driver
Front Bezel		
NEMA 4	Black Powder Coated Aluminum	Black Powder Coated Aluminum
NEMA 4x	Stainless Steel (Optional)	Stainless Steel (Optional)
System		
CPU	Intel i7-3612QM	Intel i7-3612QM
Chipset	Intel QM77	Intel QM77
Memory	8GB DDR3	8GB DDR3
Video Controller	Intel HD Graphics 4000	Intel HD Graphics 4000
External Video Output	DVI / HDMI / Display Port	DVI / HDMI / Display Port
Storage Option	N/A	N/A
Compact Flash	N/A	N/A
Keyboard / Mouse	USB / PS2	USB / PS2
Audio	Line in, Line Out, Mic-In	Line in, Line Out, Mic-In
Watchdog Timer	Programmable 1 - 255 sec	Programmable 1 - 255 sec
Remote Boot	ThinManager Ready, PXE	ThinManager Ready, PXE
Expansion Slot	1 x PCIe x16	1 x PCIe x16
I/O Communication		
USB Port	4 x USB 2.0, 2 x USB 3.0	4 x USB 2.0, 2 x USB 3.0
Serial Port	2 x RS-232/422/485	2 x RS-232/422/485
IEEE 1394	N/A	N/A
LAN	Dual Gigabit LAN	Dual Gigabit LAN
Parallel	N/A	N/A
GPIO	N/A	N/A
Smart Battery		
External Smart Battery	N/A	N/A
OS Support		
OS Support	N/A	N/A
Power/Thermal Specs		
Power Requirement (Max)	24VDC / 2.60A	24VDC / 3.00A
Power Consumption (Max)	62 W	72 W
Recommended Power Supply	90W	120W
Heat Dissipation	211 BTU/hr	250 BTU/hr
Physical Information		
Mounting	Panel Mount	Panel Mount
Net Weight	19 Lbs / 8 Kg	21 Lbs / 9 Kg
Dimension (W x H x D)	14.51 x 11.80 x 4.57 inch 368.6 x 299.8 x 116.2 mm	15.88 x 13.34 x 4.81 inch 403.4 x 338.8 x 122.2 mm
Recommended Cutout Dimension (WxH)	13.75 x 11.10 inch 349.3 x 281.9 mm	15.07 x 12.51 inch 382.8 x 317.8 mm
Environmental		
Operating Temperature	0-50°C (32~122°F)	0-50°C (32~122°F)
Storage Temperature	-20~60°C (-4~140°F)	-20~60°C (-4~140°F)
Relative Humidity	0~95%	0~95%
IP/NEMA Rating	Bezel meets NEMA 4/4X requirements	Bezel meets NEMA 4/4X requirements
Certification	c UL Class I Division II	c UL Class I Division II

ARP-2200AP-G01 Series

C1D2 Location Panel Mount Thin Client Panel PC with
15" 5-Wire Resistive Touch



Features

- 15 / 17 / 19 / 21.5 inch LCD
- Resolution up to 1920 x 1080
- 5-Wire Resistive Touch
- Aluminum or Stainless Steel Bezel
- Intel i7-3612QM CPU
- 8GB DDR3 SO-DIMM
- Dual Gigabit Ethernet
- 2 x RS-232/422/485 BIOS Selectable
- 4 x USB 3.0, 2 x USB 2.0 ports
- ThinManager Ready

Specifications	ARP-2219AP-G01	ARP-2221AP-G01
LCD Display		
Display Size (Diagonal)	19.0 inch	21.5 inch
Resolution	1280 x 1024	1920 x 1080
Backlight Lifetime (Hours)	50,000	50,000
Visual Characteristics		
Colors	16.7 million	16.7 million
Aspect Ratio	5:4	16:9
Viewing Angle (V/H)	160° / 170°	178° / 178°
Contrast Ratio	1000 : 1	1000 : 1
Brightness	450 nits	250 nits
Touchscreen		
Technology	5 Wire Resistive	5 Wire Resistive
Interface	USB	USB
Driver	ThinManager Supported Driver	ThinManager Supported Driver
Front Bezel		
NEMA 4	Black Powder Coated Aluminum	Black Powder Coated Aluminum
NEMA 4x	Stainless Steel (Optional)	Stainless Steel (Optional)
System		
CPU	Intel i7-3612QM	Intel i7-3612QM
Chipset	Intel QM77	Intel QM77
Memory	8GB DDR3	8GB DDR3
Video Controller	Intel HD Graphics 4000	Intel HD Graphics 4000
External Video Output	DVI / HDMI / Display Port	DVI / HDMI / Display Port
Storage Option	N/A	N/A
Compact Flash	N/A	N/A
Keyboard / Mouse	USB / PS2	USB / PS2
Audio	Line in, Line Out, Mic-In	Line in, Line Out, Mic-In
Watchdog Timer	Programmable 1 - 255 sec	Programmable 1 - 255 sec
Remote Boot	ThinManager Ready, PXE	ThinManager Ready, PXE
Expansion Slot	1 x PCIe x16	1 x PCIe x16
I/O Communication		
USB Port	4 x USB 2.0, 2 x USB 3.0	4 x USB 2.0, 2 x USB 3.0
Serial Port	2 x RS-232/422/485	2 x RS-232/422/485
IEEE 1394	N/A	N/A
LAN	Dual Gigabit LAN	Dual Gigabit LAN
Parallel	N/A	N/A
GPIO	N/A	N/A
Smart Battery		
External Smart Battery	N/A	N/A
OS Support		
OS Support	N/A	N/A
Power/Thermal Specs		
Power Requirement (Max)	24VDC / 3.00A	24VDC / 3.00A
Power Consumption (Max)	72 W	72 W
Recommended Power Supply	120W	120W
Heat Dissipation	250 BTU/hr	250 BTU/hr
Physical Information		
Mounting	Panel Mount	Panel Mount
Net Weight	25 Lbs / 11 Kg	28 Lbs / 12.7 Kg
Dimension (W x H x D)	17.80 x 14.60 x 5.71 inch 452.1 x 370.8 x 145.0 mm	20.98 x 12.99 x 5.78 inch 533.0 x 330.0 x 146.7 mm
Recommended Cutout Dimension (WxH)	17.00 x 13.78 inch 431.8 x 350.0 mm	19.92 x 12.35 inch 506.0 x 313.7 mm
Environmental		
Operating Temperature	0-50°C (32~122°F)	0-50°C (32~122°F)
Storage Temperature	-20~60°C (-4~140°F)	-20~60°C (-4~140°F)
Relative Humidity	0~95%	0~95%
IP/NEMA Rating	Bezel meets NEMA 4/4X requirements	Bezel meets NEMA 4/4X requirements
Certification	c UL Class I Division II	c UL Class I Division II

ARP-2200AP-G01 Series

Ordering Information

Item	ARP-2215AP-G01-002-C1D2	ARP-2215AP-G01-006-C1D2
LCD Display	Standard	Standard
Touch Screen	5-Wire	5-Wire
Bezel	Black Powder Coated	Stainless Steel
CPU	i7 Mobile	i7 Mobile
Memory	8GB DDR3	8GB DDR3
Storage	NA	NA
ThinManager Ready	YES	YES
Power Supply	24VDC Input	24VDC Input
C1D2 Approval	YES	YES

Item	ARP-2217AP-G01-002-C1D2	ARP-2217AP-G01-006-C1D2
LCD Display	Standard	Standard
Touch Screen	5-Wire	5-Wire
Bezel	Black Powder Coated	Stainless Steel
CPU	i7 Mobile	i7 Mobile
Memory	8GB DDR3	8GB DDR3
Storage	NA	NA
ThinManager Ready	YES	YES
Power Supply	24VDC Input	24VDC Input
C1D2 Approval	YES	YES

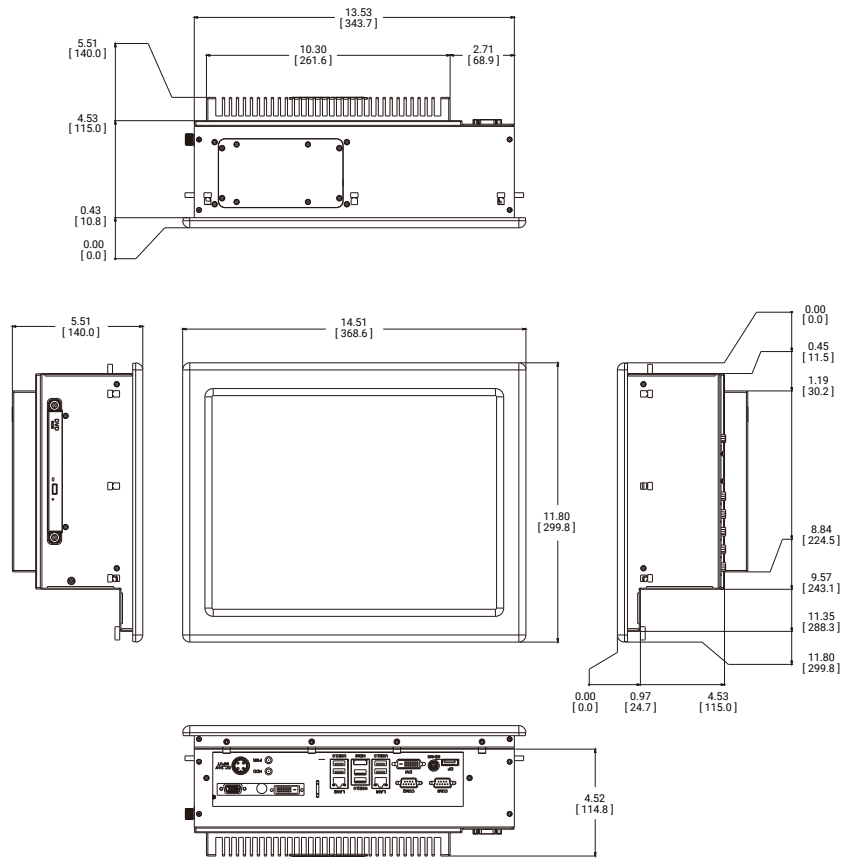
Item	ARP-2219AP-G01-002-C1D2	ARP-2219AP-G01-006-C1D2
LCD Display	Standard	Standard
Touch Screen	5-Wire	5-Wire
Bezel	Black Powder Coated	Stainless Steel
CPU	i7 Mobile	i7 Mobile
Memory	8GB DDR3	8GB DDR3
Storage	NA	NA
ThinManager Ready	YES	YES
Power Supply	24VDC Input	24VDC Input
C1D2 Approval	YES	YES

Item	ARP-2221AP-G01-002-C1D2	ARP-2221AP-G01-006-C1D2
LCD Display	Standard	Standard
Touch Screen	5-Wire	5-Wire
Bezel	Black Powder Coated	Stainless Steel
CPU	i7 Mobile	i7 Mobile
Memory	8GB DDR3	8GB DDR3
Storage	NA	NA
ThinManager Ready	YES	YES
Power Supply	24VDC Input	24VDC Input
C1D2 Approval	YES	YES

Dimension Drawing

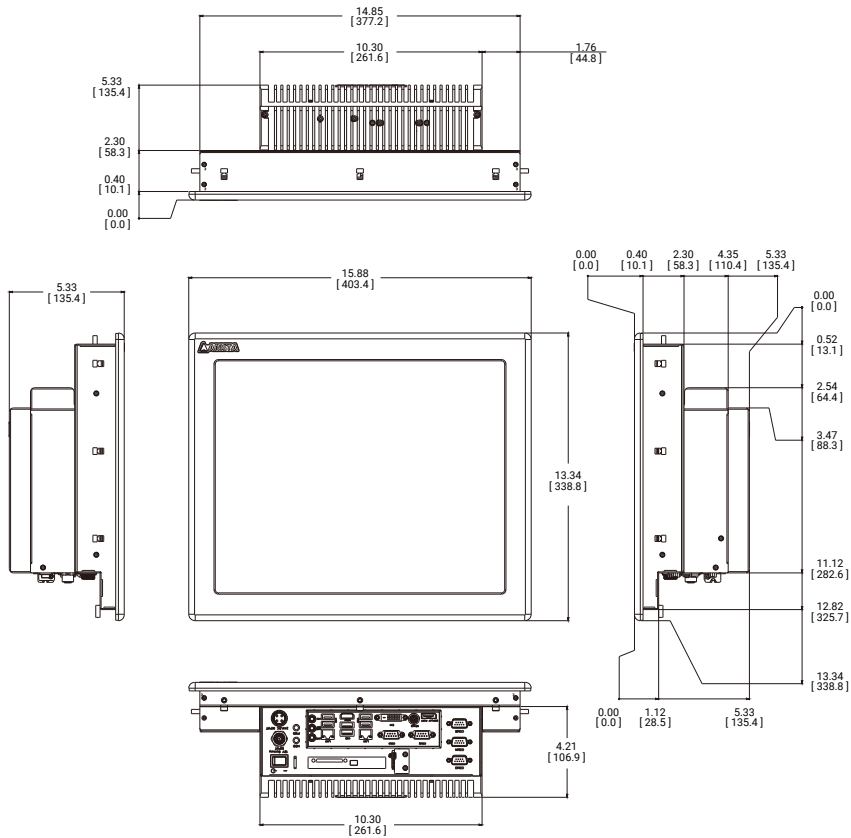
ARP-2215AP-G01

Size Unit : inch(mm)



ARP-2217AP-G01

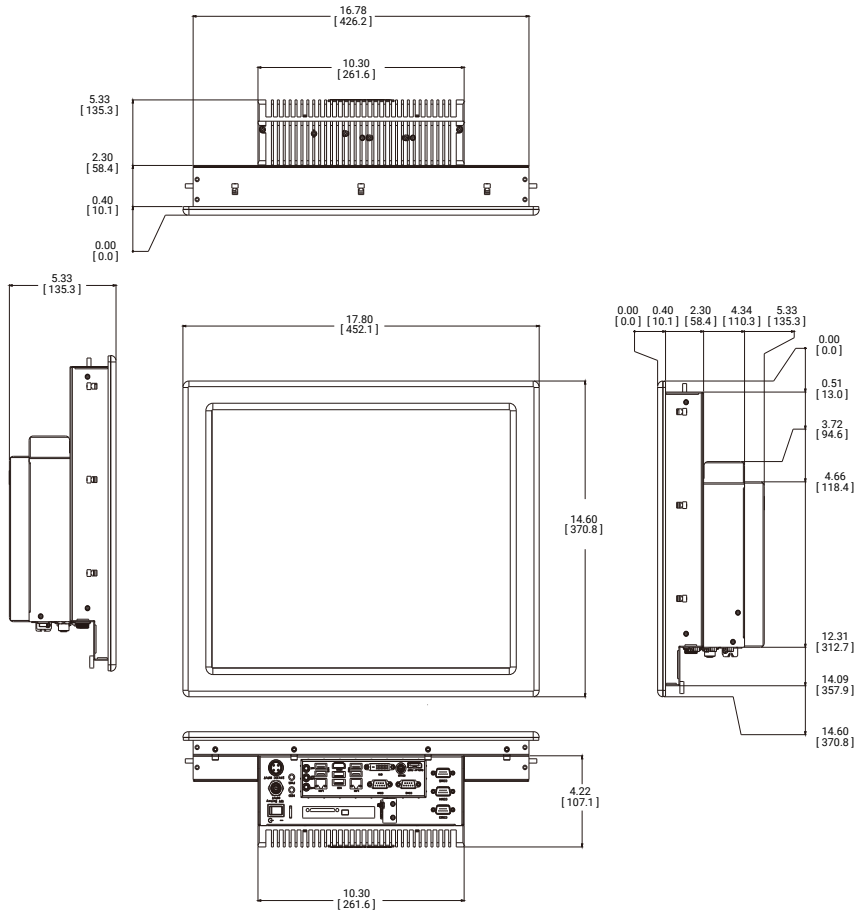
Size Unit : inch(mm)



Dimension Drawing

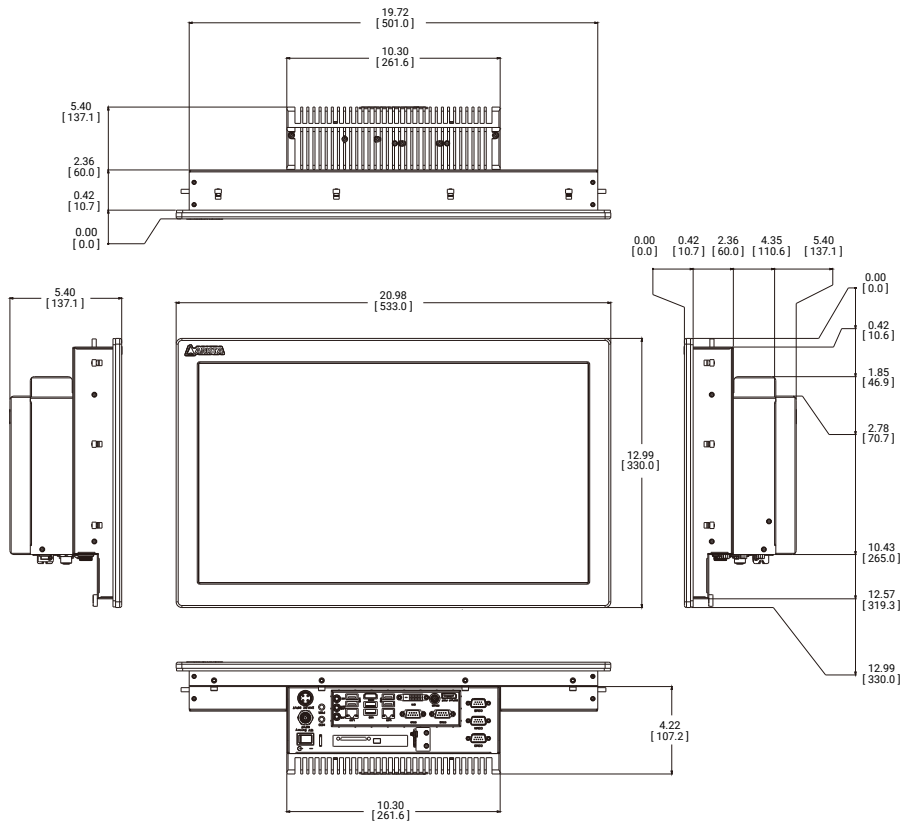
ARP-2219AP-G01

Size Unit : inch(mm)



ARP-2221AP-G01

Size Unit : inch(mm)





ARP-3821AX-E01-006-C1D2

C1D2 Location NEMA 4X Thin Client Panel PC with 21.5" PCAP Touch Screen

Features

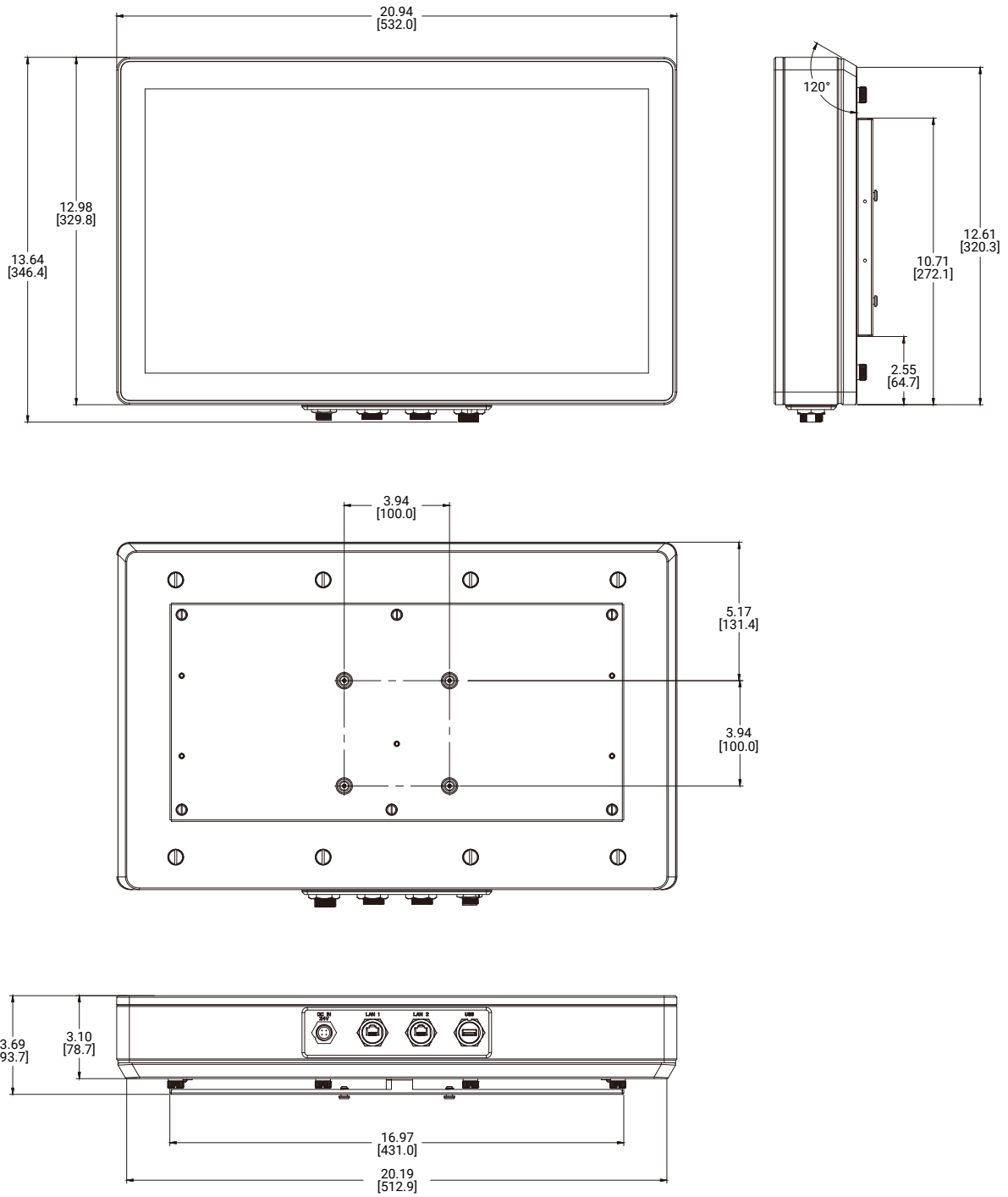
- 21.5" LCD, 1920 x 1080 Resolution
- Projected Capacitive Touch Screen
- Stainless Steel Enclosure
- Intel E3845 ATOM CPU/ Intel i7-6600U CPU
- 4GB DDR3 SO-DIMM
- Gigabit Ethernet
- 2x USB 2.0 ports
- Optional C1D2 Hazardous Area Approved Configuration

Specifications	ARP-3821AX-E01-006-C1D2
LCD Display	
Display Size (Diagonal)	21.5 inch
Max Resolution	1920 x 1080
Backlight Lifetime (Hours)	50,000 hours
Visual Characteristics	
Colors	16.7 million
Aspect Ratio	16:9
Viewing Angle (V/H)	178° / 178°
Contrast Ratio	1000 : 1
Brightness	250 nits
Touchscreen	
Technology	Projected Capacitive
Interface	USB x 2
Driver	ThinManager Supported Driver
Enclosure	
NEMA 4	N/A
NEMA 4x	Stainless Steel
System	
CPU	Intel E3845 1.91GHz ATOM CPU
Chipset	Bay Trail
Memory	4GB DDR3 SO-DIMM
Video Controller	Intel Gen7 Intel Graphics DX 11, OGL3.2
External Video Output	N/A
Storage Option	N/A
Compact Flash	N/A
Keyboard / Mouse	USB
Audio	N/A
Watchdog Timer	Programmable 1 - 255 sec
Remote Boot	ThinManager Ready, PXE
Expansion Slot	N/A
I/O Communication	
USB Port	2 x USB 2.0
Serial Port	N/A
IEEE 1394	N/A
LAN	1 x Gigabit
Parallel	N/A
GPIO	N/A
Smart Battery	
External Smart Battery	N/A
OS Support	
OS Support	N/A
Power/Thermal Specs	
Power Requirement (Max)	24VDC / 1.58A
Power Consumption (Max)	38 W
Recommended Power Supply	55 W
Heat Dissipation	130 BTU/hr
Physical Information	
Mounting	Pedestal, VESA, Wall mount, Benchtop
Net Weight	27 Lbs / 12.25 Kg
Dimension (W x H x D)	20.94 x 13.64 x 3.69 inch 532.0 x 346.4 x 93.7 mm
Environmental	
Operating Temperature	0~50°C (32~122°F)
Storage Temperature	-20~60°C (-4~140°F)
Relative Humidity	0~95%
IP/NEMA Rating	Meets NEMA 4X
Certification	c UL Class I Division II

Dimension Drawing

ARP-3821AX-E01

Size Unit : inch(mm)



ARP-5500AX-E01-006-C1D2 Series

C1D2 Location NEMA 4X Thin Client Panel PC with ResistiveTouch Screen



Features

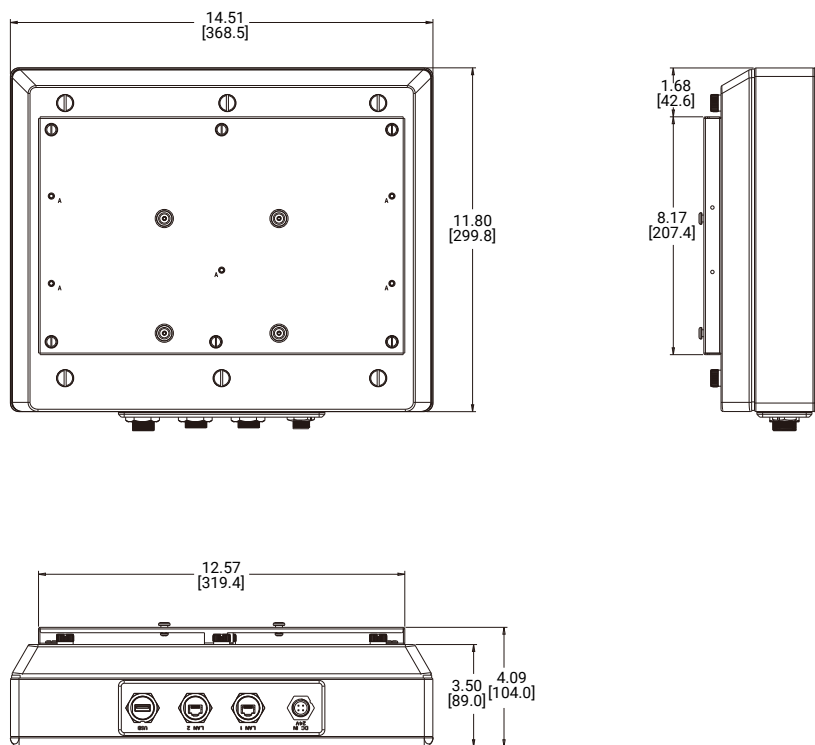
- 15 / 17 / 19 inch LCD
- Resolution up to 1280 x 1024
- 5-Wire Resistive Touch
- Stainless Steel Enclosure
- Intel E3845 ATOM CPU/ Intel i7-6600U CPU
- 4GB DDR3 SO-DIMM
- Gigabit Ethernet
- 2x USB 2.0 ports
- Optional C1D2 Hazardous Area Approved Configuration

Specifications	ARP-5515AX-E01-006-C1D2	ARP-5517AX-E01-006-C1D2	ARP-5519AX-E01-006-C1D2
LCD Display			
Display Size (Diagonal)	15.0 inch	17.0 inch	19.0 inch
Resolution	1024 x 768	1280 x 1024	1280 x 1024
Backlight Lifetime (Hours)	50,000	50,000 hours	50,000 hours
Visual Characteristics			
Colors	16.7 million	16.7 million	16.7 million
Aspect Ratio	4:3	5:4	5:4
Viewing Angle (V/H)	140° / 170°	160° / 140°	160° / 170°
Contrast Ratio	700 : 1	800 : 1	1000 : 1
Brightness	300 nits (max)	350 nits	450 nits
Touchscreen			
Technology	5 Wire Resistive	5 Wire Resistive	5 Wire Resistive
Interface	USB X 2	USB x 2	USB x 2
Driver	ThinManager Supported Driver	ThinManager Supported Driver	ThinManager Supported Driver
Enclosure			
NEMA 4	N/A	N/A	N/A
NEMA 4x	Stainless Steel	Stainless Steel	Stainless Steel
System			
CPU	Intel E3845 1.91GHz ATOM CPU	Intel E3845 1.91GHz ATOM CPU	Intel E3845 1.91GHz ATOM CPU
Chipset	Bay Trail	Bay Trail	Bay Trail
Memory	4GB DDR3 SO-DIMM	4GB DDR3 SO-DIMM	4GB DDR3 SO-DIMM
Video Controller	Intel Gen7 Intel Graphics DX 11, OGL3.2	Intel Gen7 Intel Graphics DX 11, OGL3.2	Intel Gen7 Intel Graphics DX 11, OGL3.2
External Video Output	N/A	N/A	N/A
Storage Option	N/A	N/A	N/A
Compact Flash	N/A	N/A	N/A
Keyboard / Mouse	USB	USB	USB
Audio	N/A	N/A	N/A
Watchdog Timer	Programmable 1 - 255 sec	Programmable 1 - 255 sec	Programmable 1 - 255 sec
Remote Boot	ThinManager Ready, PXE	ThinManager Ready, PXE	ThinManager Ready, PXE
Expansion Slot	N/A	N/A	N/A
I/O Communication			
USB Port	2 x USB 2.0	2 x USB 2.0	2 x USB 2.0
Serial Port	N/A	N/A	N/A
IEEE 1394	N/A	N/A	N/A
LAN	1 x Gigabit	1 x Gigabit	1 x Gigabit
Parallel	N/A	N/A	N/A
GPIO	N/A	N/A	N/A
Smart Battery			
External Smart Battery	N/A	N/A	N/A
OS Support			
OS Support	N/A	N/A	N/A
Power/Thermal Specs			
Power Requirement (Max)	24VDC / 1.17A	24VDC / 1.25A	24VDC / 1.25A
Power Consumption (Max)	28 W	30 W	30 W
Recommended Power Supply	40 W	43 W	43 W
Heat Dissipation	96 BTU/hr	103 BTU/hr	103 BTU/hr
Physical Information			
Mounting	Pedestal, VESA, Wall and Ceiling mount, Benchtop	Pedestal, VESA, Wall and Ceiling mount, Benchtop	Pedestal, VESA, Wall and Ceiling mount, Benchtop
Net Weight	32 Lbs/ 14.52 kg	34 Lbs / 15.42 Kg	35 Lbs / 15.88 Kg
Physical Dimension (W x H x D)	14.51 x 12.42 x 4.09 inch 368.6 x 315.5 x 103.9 mm	15.88 x 14.07 x 4.36 inch 403.4 x 357.4 x 110.7 mm	17.80 x 15.19 x 4.40 inch 452.1 x 385.8 x 111.8 mm
Environmental			
Operating Temperature	0~50°C (32~122°F)	0~50°C (32~122°F)	0~50°C (32~122°F)
Storage Temperature	-20~60°C (-4~140°F)	-20~60°C (-4~140°F)	-20~60°C (-4~140°F)
Relative Humidity	0~95%	0~95%	0~95%
IP/NEMA Rating	Meets NEMA 4X	Meets NEMA 4X	Meets NEMA 4X
Certification	c UL Class I Division II	c UL Class I Division II	c UL Class I Division II

Dimension Drawing

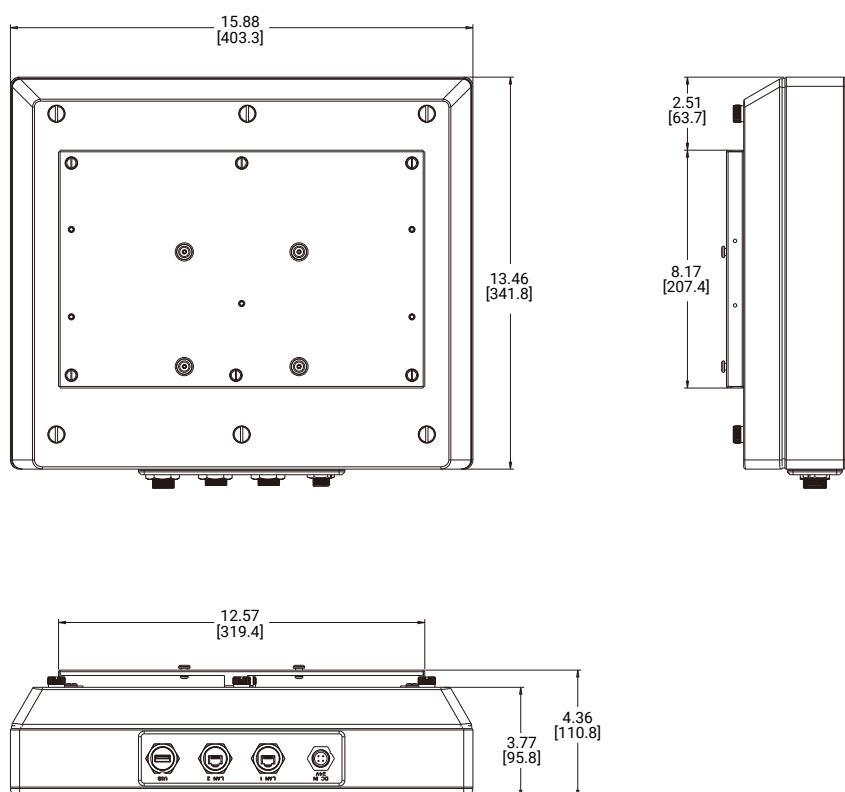
ARP-5515AX-E01

Size Unit : inch(mm)



ARP-5517AX-E01

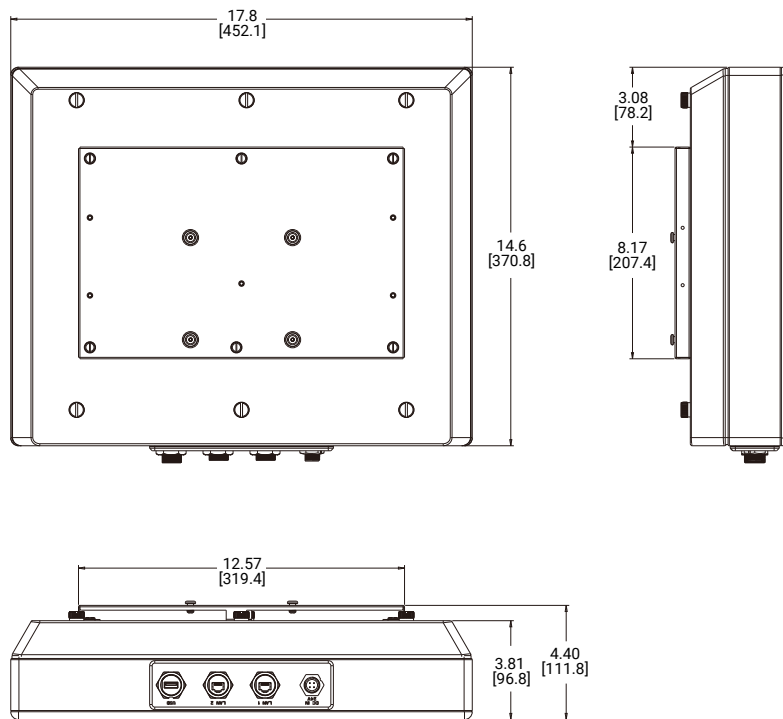
Size Unit : inch(mm)



Dimension Drawing

ARP-5519AX-E01

Size Unit : inch(mm)





Produksi	Target	CH4 UTE 4	Tan	0
147282	78		A	0
Team Alert	15	Zakaj	11	Vreme zavrsta
Defekti	0%	Simena	0	00:58
13:15:22				Mesec
				0
				Sunday
				9/23/2012



Large Format Display Thin Clients



ARP-5542AX-E01-007-DR

NEMA 4X Thin Client Panel PC with 42" IR Touch Screen

Features

- 42" LCD, 1920 x 1080 Resolution
- IR Touch or Tempered Glass
- Stainless Steel Enclosure
- Intel E3845 ATOM CPU/ Intel i7-6600U CPU
- 4GB DDR3 SO-DIMM
- Gigabit Ethernet
- 2x USB 2.0 ports

Specifications	ARP-5542AX-E01-007-DR
LCD Display	
Display Size (Diagonal)	42 inch
Max Resolution	1920 x 1080
Backlight Lifetime (Hours)	50,000 hours
Visual Characteristics	
Colors	1073 million
Aspect Ratio	16:9
Viewing Angle (V/H)	178° / 178°
Contrast Ratio	4000:1
Brightness	500 nits
Touchscreen	
Technology	Infrared
Interface	USB x 2
Driver	ThinManager Supported Driver
System	
CPU	Intel E3845 1.91GHz ATOM CPU
Chipset	Bay Trail
Memory	4GB DDR3 SO-DIMM
Video Controller	Intel Gen7 Intel Graphics DX 11, OGL3.2
External Video Output	N/A
Storage Option	N/A
Compact Flash	N/A
Keyboard / Mouse	USB
Audio	N/A
Watchdog Timer	Programmable 1 - 255 sec
Remote Boot	ThinManager Ready, PXE
Expansion Slot	N/A
I/O Communication	
USB Port	2 x USB 2.0
Serial Port	N/A
IEEE 1394	N/A
LAN	1 x Gigabit
Parallel	N/A
GPIO	N/A
Smart Battery	
External Smart Battery	N/A
OS Support	
OS Support	N/A
Power/Thermal Specs	
Power Requirement (Max)	24VDC / 7.54A
Power Consumption (Max)	181 W
Recommended Power Supply	259 W
Heat Dissipation	618 BTU/hr
Physical Information	
Mounting	Wall mount
Net Weight	110 Lbs/ 50 kg
Dimension (W x H x D)	42.87 x 27.29 x 5.38 inch 1089.0 x 693.05 x 136.1 mm
Recommended Cutout Dimension (WxH)	N/A
Environmental	
Operating Temperature	0~50°C (32~122°F)
Storage Temperature	-20~60°C (-4~140°F)
Relative Humidity	0~95%
IP/NEMA Rating	Meets NEMA 4X
Certification	N/A

ARP-3855BP-E01-003

VESA Mount Thin Client Panel PC with 55 inch PCAP Touch Screen



Features

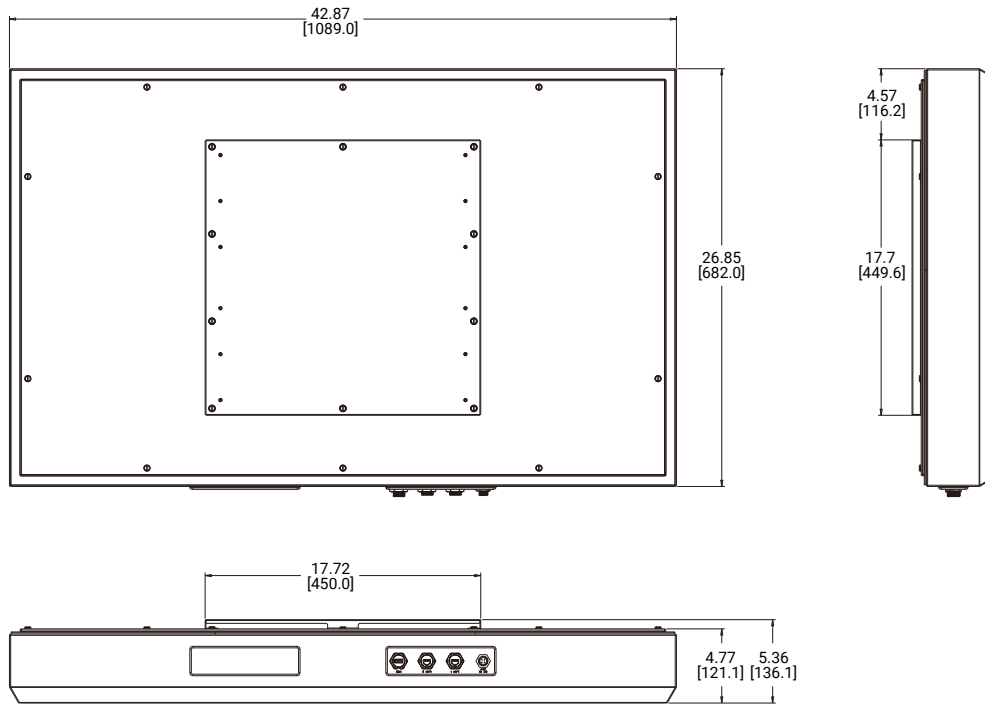
- 55" LCD, 1920 x 1080 Resolution
- Projected Capacitive Touch Screen
- VESA Mount / Wall Mount
- Intel E3845 ATOM CPU
- 4GB DDR3 SO-DIMM
- Dual Gigabit Ethernet
- 2 x RS-232/422/485 BIOS Selectable
- 1 x USB 3.0, 3 x USB 2.0 ports
- Line Out, Mic In
- ThinManager Ready

Specifications	ARP-3855BP-E01-003
LCD Display	
Display Size (Diagonal)	55.0 inch
Max Resolution	1920 x 1080
Backlight Lifetime (Hours)	50,000
Visual Characteristics	
Colors	1073.7 million
Aspect Ratio	16:9
Viewing Angle (V/H)	178° / 178°
Contrast Ratio	4000 : 1
Brightness	500 nits
Touchscreen	
Technology	Projected Capacitive
Interface	USB
Driver	ThinManager Supported Driver
Enclosure	
Colors	Black Color
Protection	Meets IP50
System	
CPU	Intel E3845 1.91GHz ATOM CPU
Chipset	Bay Trail
Memory	4GB DDR3 SO-DIMM
Video Controller	Intel Gen7 Intel Graphics DX 11, OGL3.2
External Video Output	VGA, HDMI
Storage Option	N/A
Compact Flash	N/A
Keyboard / Mouse	USB / PS2
Audio	Line Out, Mic In
Watchdog Timer	Programmable 1 - 255 sec
Remote Boot	ThinManager Ready, PXE
Expansion Slot	Mini PCIe x 2
I/O Communication	
USB Port	1 x USB 3.0, 3 x USB 2.0
Serial Port	2 x RS-232/422/485 BIOS Selectable
IEEE 1394	N/A
LAN	2 x Gigabit
Parallel	N/A
GPIO	N/A
Smart Battery	
External Smart Battery	N/A
OS Support	
OS Support	N/A
Power/Thermal Specs	
Power Requirement (Max)	110VAC / 2.41A, 220VAC / 1.20A
Power Consumption (Max)	265 W
Recommended Power Supply	378 W
Heat Dissipation	903 BTU/hr
Physical Information	
Mounting	VESA Mount
Net Weight	--
Dimension (W x H x D)	50.85 x 30.02 x 3.25 inch 1291.5 x 762.5 x 82.6 mm
Recommended Cutout Dimension (WxH)	N/A
Environmental	
Operating Temperature	0~40°C (32~104°F)
Storage Temperature	-20~60°C (-4~140°F)
Relative Humidity	10~95% (non-condensing)
IP/NEMA Rating	N/A
Certification	N/A

Dimension Drawing

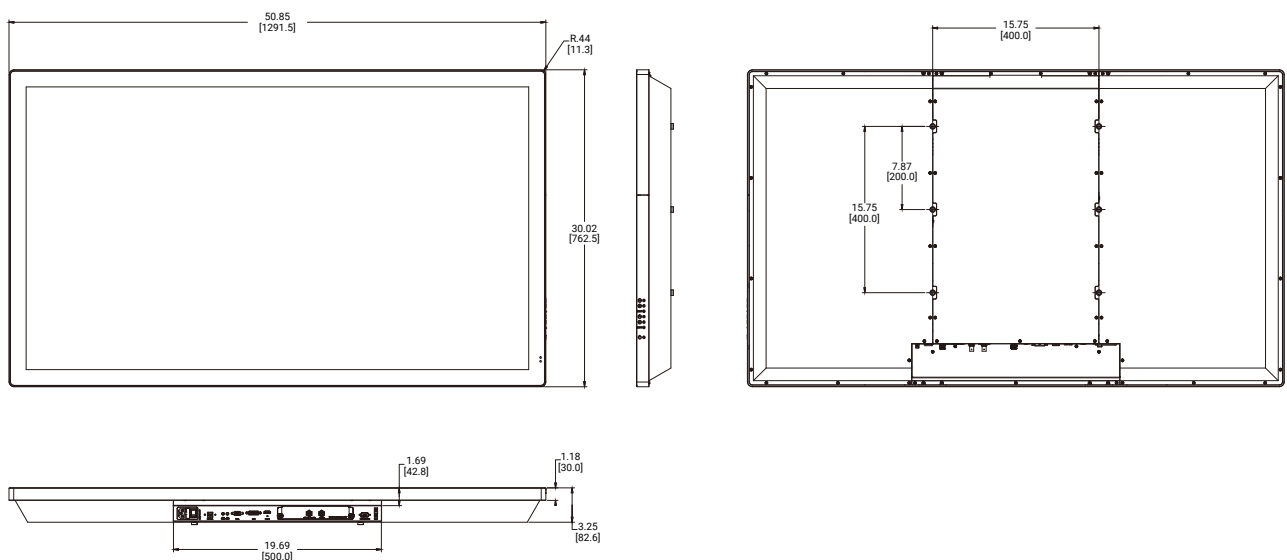
ARP-5542AX-E01

Size Unit : inch(mm)



ARP-3855BP-E01


Size Unit : inch(mm)





ARISTA Corporation (USA)

 40675 Encyclopedia Circle, Fremont, CA 94538.

 Phone : +1-510-226-1800  eFax : 510-405-8437

 sales@goarista.com  www.aristaipc.com